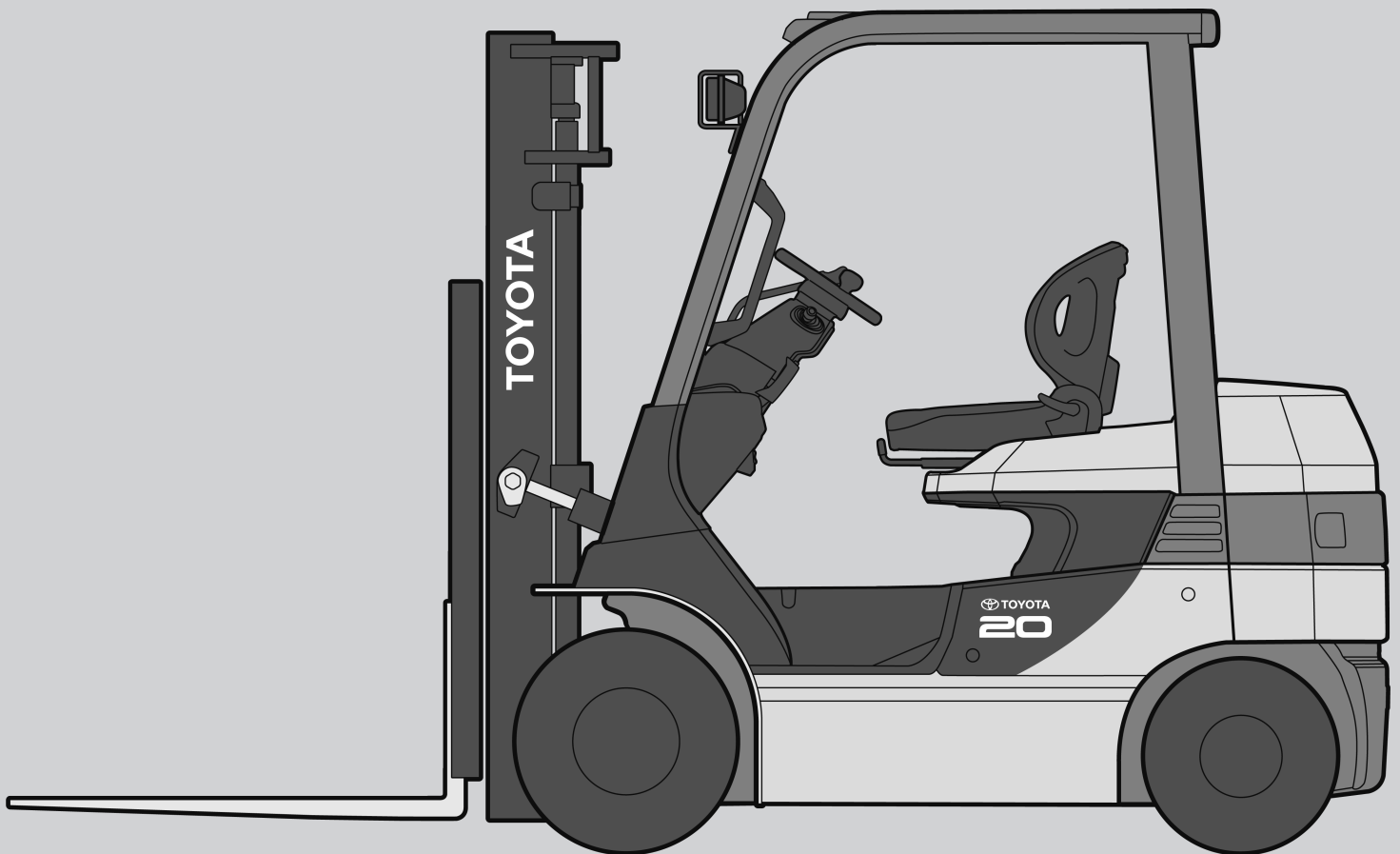


# ELECTRIC POWERED FORKLIFT

## 8FB 1.0 to 3.5 Ton Series



# 1,000 kg

## MAIN VEHICLE SPECIFICATIONS

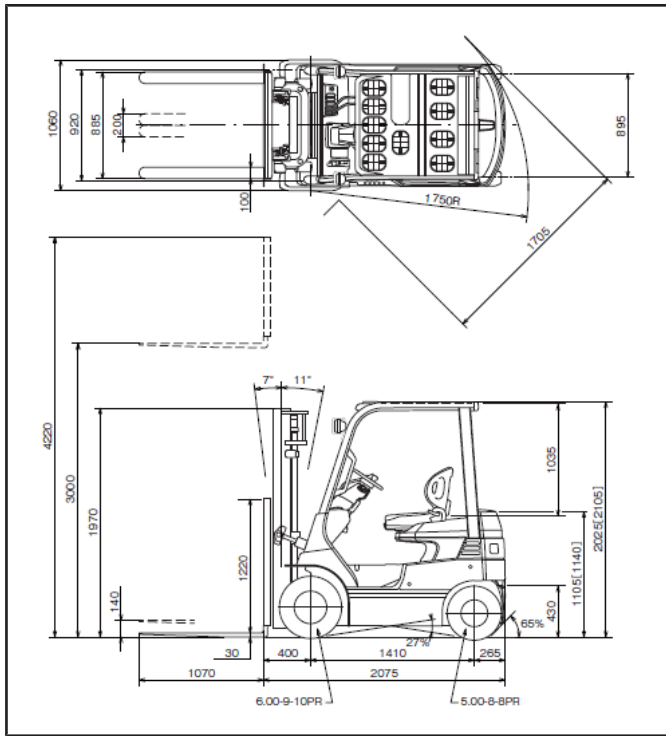
1	Manufacturer			TOYOTA	TOYOTA	TOYOTA	1	
2	Model			<b>8FB10</b>	<b>60-8FB10</b>	<b>8FBH10</b>	2	
3	Load Capacity	kg		1000	1000	1000	3	
4	Load Center	mm		500	500	500	4	
5	Power Type			Battery	Battery	Battery	5	
6	Operator Position			Rider Seated	Rider Seated	Rider Seated	6	
7	Tire Type	Front/Rear		Pneumatic	Pneumatic	Pneumatic	7	
8	Wheels (x = driven)	Front/Rear		2x/2	2x/2	2x/2	8	
9	Maximum Fork Height (MFH)	mm		3000	3000	3000	9	
10	Free Lift	mm		140	140	140	10	
13	Fork Size	L x W x T	mm	1070/100/30	1070/100/30	1070/100/30	13	
	Lateral Fork Adjustment	MAX./MIN.	mm	920/200	920/200	920/200		
14	Tilt Range	FWD/BWD	deg	7/11	7/11	7/11	14	
15	Length to Fork Face		mm	2075	2075	2075	15	
16	Overall Width		mm	1060	1060	1060	16	
17	Mast Lowered Height		mm	1970	1970	1970	17	
18	Mast Extended Height		mm	4220	4220	4220	18	
19	Overhead Guard Height		mm	2025	2025	2105	19	
21	Turning Radius (Outside)		mm	1750	1750	1750	21	
22	Load Distance (Centerline of front axle to front face of forks)		mm	400	400	400	22	
	Rear Overhang		mm	265	265	265		
23	Basic Right Angle Stacking Aisle Width (Add load length and clearance)		mm	2150	2150	2150	23	
	Intersecting Aisle Width		mm	1705	1705	1705		
24	Speeds *	Travel, Max. (FWD/RVS)	Full Load	km/h	14.5/14.5	14.5/14.5	14.5/14.5	24
No Load			km/h	17.0/17.0	17.0/17.0	17.0/17.0		
Lifting		Full Load	mm/sec	470	470	470	25	
		No Load	mm/sec	650	650	650		
Lowering		Full Load	mm/sec	500	500	500	26	
		No Load	mm/sec	550	550	550		
27	Drawbar Pull *	Full Load/ No Load	3-Minute Ratings	N (kg)	9260/8650 (940/880)	9260/8650 (940/880)	9220/8610(940/870)	27
5-Minute Ratings			N (kg)	9260/8650(940/880)	9260/8650(940/880)	9220/8610(940/870)		
60-Minute Ratings			N (kg)	2750/2750(280/280)	2750/2750(280/280)	2750/2750(280/280)		
3-Minute Ratings			% (tanθ)	26/26	26/26	23/26		
29	Gradeability *	Full Load/ No Load	5-Minute Ratings	% (tanθ)	26/26	26/26	23/26	29
30-Minute Ratings			% (tanθ)	14/19	14/19	14/19		
3-Minute Ratings			% (tanθ)	14/19	14/19	14/19		
30-Minute Ratings			% (tanθ)	14/19	14/19	14/19		
32	Total Weight	Without Battery		kg	1940	1940	2005	32
33	Weight Distribution (With STD capacity Lead-acid battery/Min. capacity Lithium-ion bat- tery)	Full Load	Front	kg	2950	3000	3090	33
Rear			kg	570	620	760		
34	No Load	Front	kg	1310	1360	1450	34	
Rear		kg	1210	1260	1400			
35	Tires	Number	Front/Rear		2/2	2/2	2/2	35
36	Size	Front		6.00-9-10-PR	6.00-9-10-PR	6.00-9-10-PR	6.00-9-10-PR	36
37		Rear		5.00-8-8PR	5.00-8-8PR	5.00-8-8PR	5.00-8-8PR	
38	Wheelbase		mm	1410	1410	1410	38	
39	Tread	Front	mm	885	885	885	39	
Rear		mm	895	895	895			
	Backrest Height		mm	1220	1220	1220		
	Overhead Guard Clearance		mm	1035	1035	1035		
	Counterweight Height		mm	1105	1105	1140		
	Drawbar Height		mm	430	430	430		
	Step Height/Floor Height		mm	430/615	430/615	430/695		
40	Underclearance	Mast (Full Load)	mm	75	75	75	40	
41		Center of Wheelbase (Full Load)	mm	85	85	85	41	
		Drive Axle (Full Load)	mm	75	75	75		
		Steer Axle (No Load)	mm	125	125	125		
		Counterweight (No Load)	mm	120	120	120		
		Minimum Under Clearance (Full Load)	mm	75(Mast)	75(Mast)	75(Mast)		
	Grade Clearance	Frame	% (tanθ)	27	27	27		
		Counterweight	% (tanθ)	65	65	65		
42	Brake	Service (Foot)		Hydraulic	Hydraulic	Hydraulic	42	
43		Parking		Hand	Hand	Hand	43	
	Control System	System Voltage	V	48	48	48		
45	Battery (Lead-acid battery)	Voltage/Capacity (5-hour rating)	STD	V/AH	48/330	-	48/545	45
46		Max.	V/AH	48/485	-	-		
		Weight (STD Capacity Type)	kg	580	-	845	46	
45	Battery (Lithium-ion battery)	Voltage/Capacity (5-hour rating)	Min.	V/AH	-	51.52/456	-	45
46		Max.	V/AH	-	-	-		
		Weight (Min. Capacity Type)	kg	-	680	-	46	
47	Electric Motors	Drive	kW	7.6	7.6	7.6	47	
48		Load Handling	kW	9.5	9.5	9.5	48	
		Energy Consumption According to VDI Cycle **	kWh/h	3.6	3.6	3.6		
54	Control Type	Drive		Trasistor inverter	Trasistor inverter	Trasistor inverter	54	
		Load Handling		Trasistor inverter	Trasistor inverter	Trasistor inverter		
57	Operating Pressure	For Attachments	Mpa (psi)	11.8 (1700)	11.8 (1700)	11.8 (1700)	57	
	Sound level at the driver's ear according to EN12053 Uncertainty 4dB(A)		dB(A)	-	-	-		
	Vibration in accordance with in EN13059		m/s2	-	-	-		

NOTE: \* Computed values.

\*\* 60 VDI Work Cycles/h with Tested Load of 1000 kg.

## DIMENSIONAL DRAWINGS

Unit: mm  
[ ] for 8FBH10

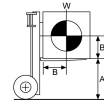


## UNDERCLEARANCE

Unit: mm

Mast (Full Load)	75
Center of Wheelbase (Full Load)	85
Drive Axle (Full Load)	75
Steer Axle (No Load)	125
Counterweight (No Load)	120
Minimum Under Clearance (Full Load)	75(Mast)

## RATED CAPACITIES



A: Max. Fork Height  
B: Load Center  
W: Capacity

### V, FV Mast (PN or PSC)

Unit: kg (W)

A (mm)	3000	3300	3500	3700	4000	4500	5000
Single Tire	500	1000	1000	1000	1000	1000	950
	600	900	900	900	900	900	850
	700	810	810	810	810	810	770
	800	750	750	750	750	750	710
	900	690	690	690	690	690	650
	1000	640	640	640	640	640	610
	1100	600	600	600	600	600	570
Dual Tire	1200	560	560	560	560	560	530
	500	1000	1000	1000	1000	1000	1000
	600	900	900	900	900	900	900
	700	810	810	810	810	810	810
	800	750	750	750	750	750	750
	900	690	690	690	690	690	690
	1000	640	640	640	640	640	640
1100	600	600	600	600	600	600	
1200	560	560	560	560	560	560	

### FSV Mast (PN or PSC)

Unit: kg (W)

A (mm)	3700	4000	4300	4500	4700	5000	5500	6000
Single Tire	500	950	900	900	900	900	850	750
	600	850	810	810	810	810	760	670
	700	780	730	730	730	730	690	610
	800	710	670	670	670	670	640	560
	900	660	620	620	620	620	590	520
	1000	610	580	580	580	580	550	480
	1100	570	540	540	540	540	510	450
Dual Tire	1200	530	510	510	510	510	480	420
	500	950	900	900	900	900	850	800
	600	850	810	810	810	810	760	720
	700	780	730	730	730	730	690	650
	800	710	670	670	670	670	640	600
	900	660	620	620	620	620	590	550
	1000	610	580	580	580	580	550	510
1100	570	540	540	540	540	510	480	
1200	530	510	510	510	510	480	450	

## MAST SPECIFICATIONS & RATED CAPACITIES

Mast Type	Maximum Fork Height	Overall Height			Free Lift		Tilt Range		Load Capacity at 500 mm LC	
		Lowered*	Extended		Without Load Backrest	With Standard Load Backrest	FWD	BWD	Single	Dual
			Without Load Backrest	With Standard Load Backrest						
mm	mm	mm	mm	mm	mm	deg	deg	kg	kg	
Wide Visible Mast (V)	2500	1720	3110	3720	140	140	7	11	1000	1000
	2700	1820	3310	3920	140	140	7	11	1000	1000
	3000	1970	3610	4220	140	140	7	11	1000	1000
	3300	2120	3910	4520	140	140	7	11	1000	1000
	3500	2220	4110	4720	140	140	7	11	1000	1000
	3700	2380	4310	4920	140	140	7	11	1000	1000
	4000	2570	4610	5220	140	140	7	11	1000	1000
	4500	2820	5110	5720	140	140	7	5	1000	1000
Wide Visible Full-Free Lift Two-Stage Mast (FV)	5000	3070	5610	6220	140	140	7	5	950	1000
	3000	1970	3570	4220	1400*	750*	7	11	1000	1000
	3300	2120	3870	4520	1550*	900*	7	11	1000	1000
	3500	2220	4070	4720	1650*	1000*	7	11	1000	1000
	3700	2380	4270	4920	1810*	1160*	7	11	1000	1000
Wide Visible Full-Free Lift Three-Stage Mast (FSV)	4000	2570	4570	5220	2000*	1350*	7	11	1000	1000
	3700	1770	4245	4920	1230*	550*	7	5	950	950
	4000	1870	4545	5220	1330*	650*	7	5	900	900
	4300	1970	4845	5520	1430*	750*	7	5	900	900
	4500	2040	5045	5720	1500*	820*	7	5	900	900
	4700	2120	5245	5920	1580*	900*	7	5	900	900
	5000	2220	5545	6220	1680*	1000*	7	5	850	850
	5500	2380	6045	6720	1840*	1160*	7	5	750	850
6000	2570	6545	7220	2030*	1350*	7	5	600	800	

NOTE: Height of standard load backrest is 1220 mm.  
\* with optional tire sized 6.50-10-12PR, plus 25mm.

# 1,350 kg

## MAIN VEHICLE SPECIFICATIONS

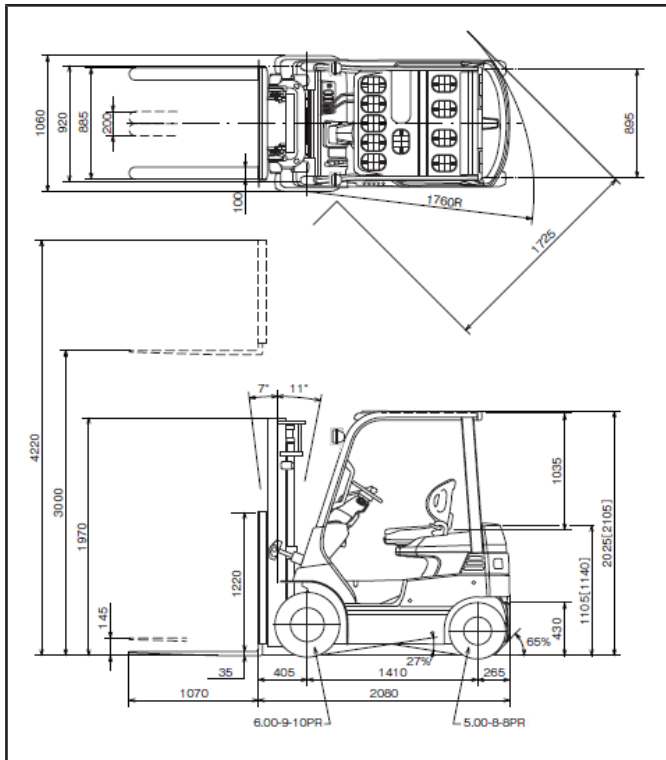
1	Manufacturer			TOYOTA	TOYOTA	TOYOTA	1
2	Model			<b>8FB14</b>	<b>60-8FB14</b>	<b>8FBH14</b>	2
3	Load Capacity		kg	1350	1350	1350	3
4	Load Center		mm	500	500	500	4
5	Power Type			Battery	Battery	Battery	5
6	Operator Position			Rider Seated	Rider Seated	Rider Seated	6
7	Tire Type		Front/Rear	Pneumatic	Pneumatic	Pneumatic	7
8	Wheels (x = driven)		Front/Rear	2x/2	2x/2	2x/2	8
9	Maximum Fork Height (MFH)		mm	3000	3000	3000	9
10	Free Lift		mm	145	145	145	10
13	Fork Size		mm	1070/100/35	1070/100/35	1070/100/35	13
	Lateral Fork Adjustment		MAX./MIN.	920/200	920/200	920/200	
14	Tilt Range		FWD/BWD	deg	7/11	7/11	14
15	Length to Fork Face		mm	2080	2080	2080	15
16	Overall Width		mm	1060	1060	1060	16
17	Mast Lowered Height		mm	1970	1970	1970	17
18	Mast Extended Height		mm	4220	4220	4220	18
19	Overhead Guard Height		mm	2025	2025	2105	19
21	Turning Radius (Outside)		mm	1760	1760	1760	21
22	Load Distance (Centerline of front axle to front face of forks)		mm	405	405	405	22
	Rear Overhang		mm	265	265	265	
23	Basic Right Angle Stacking Aisle Width (Add load length and clearance)		mm	2165	2165	2165	23
	Intersecting Aisle Width		mm	1725	1725	1725	
24	Speeds *	Travel, Max. (FWD/RVS)	Full Load	km/h	14.5/14.5	14.5/14.5	24
No Load			km/h	17.0/17.0	17.0/17.0	17.0/17.0	
Lifting		Full Load	mm/sec	430	430	430	25
	No Load	mm/sec	650	650	650		
Lowering	Full Load	mm/sec	500	500	500	26	
	No Load	mm/sec	550	550	550		
27	Drawbar Pull *	Full Load/ No Load	3-Minute Ratings	N (kg)	9200/8640(930/880)	9200/8640(930/880)	9150/8600(930/870)
			5-Minute Ratings	N (kg)	9200/8640 (930/880)	9200/8640 (930/880)	9150/8600(930/870)
			60-Minute Ratings	N (kg)	2750/2750 (280/280)	2750/2750 (280/280)	2750/2750 (280/280)
29	Gradeability *	Full Load/ No Load	3-Minute Ratings	% (tanθ)	22/26	22/26	21/25
			5-Minute Ratings	% (tanθ)	22/26	22/26	21/25
			30-Minute Ratings	% (tanθ)	13/19	13/19	13/19
32	Total Weight		Without Battery	kg	2030	2030	32
33	Weight Distribution (With STD capacity Lead-acid battery/Min. capacity Lithium-ion bat- tery)	Full Load	Front	kg	3550	3590	3680
			Rear	kg	410	460	590
34		No Load	Front	kg	1330	1370	1460
			Rear	kg	1280	1330	1460
35	Tires		Number	Front/Rear	2/2	2/2	35
36	Size	Front		6.00-9-10-PR	6.00-9-10-PR	6.00-9-10-PR	36
		Rear		5.00-8-8PR	5.00-8-8PR	5.00-8-8PR	
37							37
38	Wheelbase		mm	1410	1410	1410	38
39	Tread		mm	885	885	885	39
			mm	895	895	895	
	Backrest Height		mm	1220	1220	1220	
	Overhead Guard Clearance		mm	1035	1035	1035	
	Counterweight Height		mm	1105	1105	1140	
	Drawbar Height		mm	430	430	430	
	Step Height/Floor Height		mm	430/615	430/615	430/695	
40	Underclearance		Mast (Full Load)	mm	70	70	65
41			Center of Wheelbase (Full Load)	mm	85	85	85
			Drive Axle (Full Load)	mm	70	70	65
			Steer Axle (No Load)	mm	125	125	125
			Counterweight (No Load)	mm	120	120	120
			Minimum Under Clearance (Full Load)	mm	70(Mast)	70(Mast)	65(Mast)
	Grade Clearance		Frame	% (tanθ)	27	27	27
			Counterweight	% (tanθ)	65	65	65
42	Brake		Service (Foot)		Hydraulic	Hydraulic	Hydraulic
43	Parking				Hand	Hand	Hand
	Control System		System Voltage	V	48	48	48
45	Battery (Lead-acid battery)	Voltage/Capacity (5-hour rating)	STD	V/AH	48/330	-	48/545
		Max.	V/AH	48/485	-	-	
46	Weight (STD Capacity Type)		kg	580	-	845	
45	Battery (Lithium-ion battery)	Voltage/Capacity (5-hour rating)	Min.	V/AH	-	51.52/456	-
		Max.	V/AH	-	-	-	
46	Weight (Min. Capacity Type)		kg	-	680	-	
47	Drive		kW	7.6	7.6	7.6	
48	Electric Motors		Load Handling	kW	9.5	9.5	9.5
			Energy Consumption According to VDI Cycle **	kWh/h	3.8	3.8	3.8
54	Control Type		Drive		Trasistor inverter	Trasistor inverter	Trasistor inverter
			Load Handling		Trasistor inverter	Trasistor inverter	Trasistor inverter
57	Operating Pressure		For Attachments	Mpa (psi)	11.8 (1700)	11.8 (1700)	11.8 (1700)
	Sound level at the driver's ear according to EN12053 Uncertainty 4dB(A)			dB(A)	-	-	-
	Vibration in accordance with in EN13059			m/s2	-	-	-

NOTE: \* Computed values.

\*\* 60 VDI circles/h with Tested Load of 1350 kg.

## DIMENSIONAL DRAWINGS

Unit: mm  
[ ] for 8FBH14

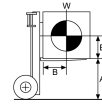


## UNDERCLEARANCE

Unit: mm

Mast (Full Load)	70 [65]
Center of Wheelbase (Full Load)	85
Drive Axle (Full Load)	70 [65]
Steer Axle (No Load)	125
Counterweight (No Load)	120
Minimum Under Clearance (Full Load)	70 [65] (Mast)

## RATED CAPACITIES



A: Max. Fork Height  
B: Load Center  
W: Capacity

### V, FV Mast (PN or PSC)

Unit: kg (W)

A (mm)	3000	3300	3500	3700	4000	4500	5000
Single Tire	500	1350	1350	1350	1350	1250	1150
	600	1210	1210	1210	1210	1120	1030
	700	1100	1100	1100	1100	1100	1020
	800	1010	1010	1010	1010	1010	930
	900	930	930	930	930	860	790
	1000	860	860	860	860	800	740
	1100	810	810	810	810	810	750
	1200	760	760	760	760	760	700
Dual Tire	500	1350	1350	1350	1350	1250	1200
	600	1210	1210	1210	1210	1120	1080
	700	1100	1100	1100	1100	1100	980
	800	1010	1010	1010	1010	1010	930
	900	930	930	930	930	860	830
	1000	860	860	860	860	800	770
	1100	810	810	810	810	810	720
	1200	760	760	760	760	760	670

### FSV Mast (PN or PSC)

Unit: kg (W)

A (mm)	3700	4000	4300	4500	4700	5000	5500	6000
Single Tire	500	1250	1200	1200	1150	1150	1000	800
	600	1120	1080	1080	1030	1030	900	720
	700	1020	980	980	940	940	820	650
	800	940	900	900	860	860	750	600
	900	870	830	830	800	800	690	550
	1000	810	770	770	740	740	640	510
	1100	750	720	720	690	690	600	480
	1200	710	680	680	650	650	560	450
Dual Tire	500	1250	1200	1200	1150	1150	1100	1100
	600	1120	1080	1080	1030	1030	990	990
	700	1020	980	980	940	940	900	900
	800	940	900	900	860	860	830	830
	900	870	830	830	800	800	760	730
	1000	810	770	770	740	740	710	680
	1100	750	720	720	690	690	660	630
	1200	710	680	680	650	650	620	590

## MAST SPECIFICATIONS & RATED CAPACITIES

Mast Type	Maximum Fork Height	Overall Height			Free Lift		Tilt Range		Load Capacity at 500 mm LC	
		Lowered*	Extended		Without Load Backrest	With Standard Load Backrest	FWD	BWD	Single	Dual
			Without Load Backrest	With Standard Load Backrest						
Wide Visible Mast (V)	2500	1720	3105	3720	145	145	7	11	1350	1350
	2700	1820	3305	3920	145	145	7	11	1350	1350
	3000	1970	3605	4220	145	145	7	11	1350	1350
	3300	2120	3905	4520	145	145	7	11	1350	1350
	3500	2220	4105	4720	145	145	7	11	1350	1350
	3700	2380	4305	4920	145	145	7	11	1350	1350
	4000	2570	4605	5220	145	145	7	11	1350	1350
	4500	2820	5105	5720	145	145	7	5	1250	1250
Wide Visible Full-Free Lift Two-Stage Mast (FV)	5000	3070	5605	6220	145	145	7	5	1150	1200
	3000	1970	3565	4220	1405*	750*	7	11	1350	1350
	3300	2120	3865	4520	1555*	900*	7	11	1350	1350
	3500	2220	4065	4720	1655*	1000*	7	11	1350	1350
Wide Visible Full-Free Lift Three-Stage Mast (FSV)	3700	2380	4265	4920	1815*	1160*	7	11	1350	1350
	4000	2570	4565	5220	2005*	1350*	7	11	1350	1350
	3700	1770	4240	4920	1235*	550*	7	5	1250	1250
	4000	1870	4540	5220	1335*	650*	7	5	1200	1200
	4300	1970	4840	5520	1435*	750*	7	5	1200	1200
	4500	2040	5040	5720	1505*	820*	7	5	1150	1150
4700	2120	5240	5920	1585*	900*	7	5	1150	1150	
5000	2220	5540	6220	1685*	1000*	7	5	1000	1100	
5500	2380	6040	6720	1845*	1160*	7	5	800	1100	
6000	2570	6540	7220	2035*	1350*	7	5	650	1050	

NOTE: Height of standard load backrest is 1220 mm.  
\* with optional tire sized 6.50-10-12PR, plus 25mm.

# 1,500 kg

## MAIN VEHICLE SPECIFICATIONS

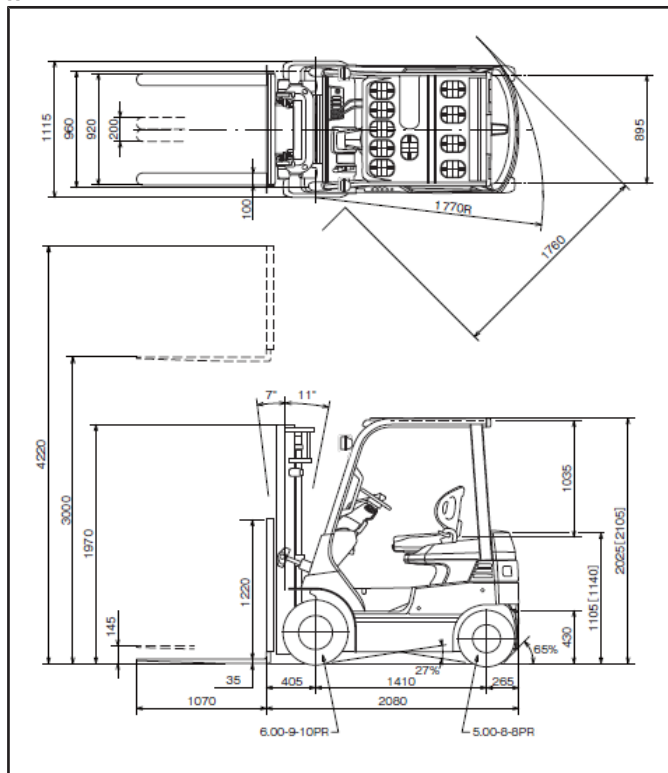
1	Manufacturer			TOYOTA	TOYOTA	TOYOTA	1	
2	Model			<b>8FB15</b>	<b>60-8FB15</b>	<b>8FBH15</b>	2	
3	Load Capacity		kg	1500	1500	1500	3	
4	Load Center		mm	500	500	500	4	
5	Power Type			Battery	Battery	Battery	5	
6	Operator Position			Rider Seated	Rider Seated	Rider Seated	6	
7	Tire Type	Front/Rear		Pneumatic	Pneumatic	Pneumatic	7	
8	Wheels (x = driven)	Front/Rear		2x/2	2x/2	2x/2	8	
9	Maximum Fork Height (MFH)		mm	3000	3000	3000	9	
10	Free Lift		mm	145	145	145	10	
13	Fork Size	L x W x T	mm	1070/100/35	1070/100/35	1070/100/35	13	
	Lateral Fork Adjustment	MAX./MIN.	mm	920/200	920/200	920/200		
14	Tilt Range	FWD/BWD	deg	7/11	7/11	7/11	14	
15	Length to Fork Face		mm	2080	2080	2080	15	
16	Overall Width		mm	1115	1115	1115	16	
17	Mast Lowered Height		mm	1970	1970	1970	17	
18	Mast Extended Height		mm	4220	4220	4220	18	
19	Overhead Guard Height		mm	2025	2025	2105	19	
21	Turning Radius (Outside)		mm	1770	1770	1770	21	
22	Load Distance (Centerline of front axle to front face of forks)		mm	405	405	405	22	
	Rear Overhang		mm	265	265	265		
23	Basic Right Angle Stacking Aisle Width (Add load length and clearance)		mm	2175	2175	2175	23	
	Intersecting Aisle Width		mm	1760	1760	1760		
24	Speeds *	Travel, Max. (FWD/RVS)	Full Load	km/h	14.5/14.5	14.5/14.5	14.5/14.5	24
No Load			km/h	17.0/17.0	17.0/17.0	17.0/17.0		
Lifting		Full Load	mm/sec	420	420	420	25	
	No Load	mm/sec	650	650	650			
Lowering	Full Load	mm/sec	500	500	500	26		
	No Load	mm/sec	550	550	550			
27	Drawbar Pull *	Full Load/ No Load	3-Minute Ratings	N (kg)	9150/8620 (930/870)	9150/8620 (930/870)	9120/8590 (930/870)	27
			5-Minute Ratings	N (kg)	9150/8620 (930/870)	9150/8620 (930/870)	9120/8590 (930/870)	
			60-Minute Ratings	N (kg)	2750/2750 (280/280)	2750/2750 (280/280)	2750/2750 (280/280)	
29	Gradeability *	Full Load/ No Load	3-Minute Ratings	% (tanθ)	20/25	20/25	19/25	29
			5-Minute Ratings	% (tanθ)	20/25	20/25	19/25	
			30-Minute Ratings	% (tanθ)	12/19	12/19	12/19	
32	Total Weight	Without Battery	kg	2060	2060	2155	32	
33	Weight Distribution (With STD capacity Lead-acid battery/Min. capacity Lithium-ion bat- tery)	Full Load	Front	kg	3790	3790	3920	33
			Rear	kg	450	450	580	
34		No Load	Front	kg	1330	1330	1460	34
			Rear	kg	1410	1410	1540	
35	Tires	Number	Front/Rear		2/2	2/2	35	
36		Size	Front		6.00-9-10-PR	6.00-9-10-PR	6.00-9-10-PR	36
			Rear		5.00-8-8PR	5.00-8-8PR	5.00-8-8PR	37
38	Wheelbase		mm	1410	1410	1410	38	
39	Tread	Front	mm	960	960	960	39	
		Rear	mm	895	895	895		
	Backrest Height		mm	1220	1220	1220		
	Overhead Guard Clearance		mm	1035	1035	1035		
	Counterweight Height		mm	1105	1105	1140		
	Drawbar Height		mm	430	430	430		
	Step Height/Floor Height		mm	430/615	430/615	430/695		
40	Underclearance	Mast (Full Load)	mm	65	65	65	40	
		Center of Wheelbase (Full Load)	mm	85	85	85	41	
		Drive Axle (Full Load)	mm	65	65	65		
		Steer Axle (No Load)	mm	125	125	125		
		Counterweight (No Load)	mm	120	120	120		
42	Grade Clearance	Frame	% (tanθ)	27	27	27		
		Counterweight	% (tanθ)	65	65	65		
43	Brake	Service (Foot)		Hydraulic	Hydraulic	Hydraulic	42	
		Parking		Hand	Hand	Hand	43	
	Control System	System Voltage	V	48	48	48		
45	Battery (Lead-acid battery)	Voltage/Capacity (5-hour rating)	STD	V/AH	48/400	-	48/545	45
		Max.	V/AH	48/485	-	-		
46		Weight (STD Capacity Type)	kg	680	-	845	46	
45	Battery (Lithium-ion battery)	Voltage/Capacity (5-hour rating)	Min.	V/AH	-	51.52/456	-	45
		Max.	V/AH	-	-	-	-	
46		Weight (Min. Capacity Type)	kg	-	680	-	46	
47	Drive		kW	7.6	7.6	7.6	47	
48	Electric Motors	Load Handling	kW	9.5	9.5	9.5	48	
		Energy Consumption According to VDI Cycle **	kWh/h	3.9	3.9	4.0		
54	Control Type	Drive		Trasistor inverter	Trasistor inverter	Trasistor inverter	54	
		Load Handling		Trasistor inverter	Trasistor inverter	Trasistor inverter		
57	Operating Pressure	For Attachments	Mpa (psi)	11.8 (1700)	11.8 (1700)	11.8 (1700)	57	
		Sound level at the driver's ear according to EN12053 Uncertainty 4dB(A)	dB(A)	68	68	68		
		Vibration in accordance with in EN13059	m/s2	1.5	1.5	1.5		

NOTE: \* Computed values.

\*\* 60 VDI circles/h with Tested Load of 1500 kg.

## DIMENSIONAL DRAWINGS

Unit: mm  
[ ] for 8FBH15

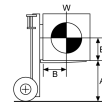


## UNDERCLEARANCE

Unit: mm

Mast (Full Load)	65
Center of Wheelbase (Full Load)	85
Drive Axle (Full Load)	65
Steer Axle (No Load)	125
Counterweight (No Load)	120
Minimum Under Clearance (Full Load)	65(Mast)

## RATED CAPACITIES



A: Max. Fork Height  
B: Load Center  
W: Capacity

### V, FV Mast (PN or PSC)

Unit: kg (W)

A (mm)	3000	3300	3500	3700	4000	4500	5000	
Single Tire	500	1500	1500	1500	1500	1450	1350	
	600	1350	1350	1350	1350	1300	1210	
	700	1220	1220	1220	1220	1180	1100	
	800	1120	1120	1120	1120	1080	1010	
	900	1040	1040	1040	1040	1000	930	
	1000	960	960	960	960	930	860	
	1100	900	900	900	900	870	810	
	1200	840	840	840	840	810	760	
	Dual Tire	500	1500	1500	1500	1500	1450	1400
		600	1350	1350	1350	1350	1300	1260
700		1220	1220	1220	1220	1180	1140	
800		1120	1120	1120	1120	1080	1050	
900		1040	1040	1040	1040	1040	970	
1000		960	960	960	960	960	900	
1100		900	900	900	900	900	840	
1200		840	840	840	840	840	780	

### FSV Mast (PN or PSC)

Unit: kg (W)

A (mm)	3700	4000	4300	4500	4700	5000	5500	6000	
Single Tire	500	1400	1400	1350	1350	1200	1100	900	
	600	1260	1260	1260	1210	1080	990	810	
	700	1150	1150	1150	1100	1000	900	730	
	800	1050	1050	1050	1010	1010	900	670	
	900	970	970	970	940	940	830	620	
	1000	900	900	900	870	870	770	580	
	1100	840	840	840	810	810	720	540	
	1200	790	790	790	760	760	680	510	
	Dual Tire	500	1400	1400	1350	1350	1300	1250	1100
		600	1260	1260	1260	1210	1170	1120	990
700		1150	1150	1150	1100	1100	980	730	
800		1120	1050	1050	1010	1010	1060	900	
900		970	970	970	940	940	900	760	
1000		900	900	900	870	870	840	710	
1100		840	840	840	810	810	780	660	
1200		790	790	790	760	760	730	620	

## MAST SPECIFICATIONS & RATED CAPACITIES

Mast Type	Maximum Fork Height	Overall Height			Free Lift		Tilt Range		Load Capacity at 500 mm LC	
		Lowered*	Extended		Without Load Backrest	With Standard Load Backrest	FWD	BWD	Single	Dual
			Without Load Backrest	With Standard Load Backrest						
Wide Visible Mast (V)	2500	1720	3105	3720	145	145	7	11	1500	1500
	2700	1820	3305	3920	145	145	7	11	1500	1500
	3000	1970	3605	4220	145	145	7	11	1500	1500
	3300	2120	3905	4520	145	145	7	11	1500	1500
	3500	2220	4105	4720	145	145	7	11	1500	1500
	3700	2380	4305	4920	145	145	7	11	1500	1500
	4000	2570	4605	5220	145	145	7	11	1500	1500
	4500	2820	5105	5720	145	145	7	5	1450	1450
Wide Visible Full-Free Lift Two-Stage Mast (FV)	3000	1970	3565	4220	1405*	750*	7	11	1500	1500
	3300	2120	3865	4520	1555*	900*	7	11	1500	1500
	3500	2220	4065	4720	1655*	1000*	7	11	1500	1500
	3700	2380	4265	4920	1815*	1160*	7	11	1500	1500
Wide Visible Full-Free Lift Three-Stage Mast (FSV)	4000	2570	4565	5220	2005*	1350*	7	11	1500	1500
	3700	1770	4240	4920	1235*	550*	7	5	1400	1400
	4000	1870	4540	5220	1335*	650*	7	5	1400	1400
	4300	1970	4840	5520	1435*	750*	7	5	1400	1400
	4500	2040	5040	5720	1505*	820*	7	5	1350	1350
	4700	2120	5240	5920	1585*	900*	7	5	1350	1350
	5000	2220	5540	6220	1685*	1000*	7	5	1200	1300
	5500	2380	6040	6720	1845*	1160*	7	5	1100	1250
6000	2570	6540	7220	2035*	1350*	7	5	900	1100	

NOTE: Height of standard load backrest is 1220 mm.  
\* with optional tire sized 6.50-10-12PR, plus 25mm.

# 1,500 kg

## MAIN VEHICLE SPECIFICATIONS

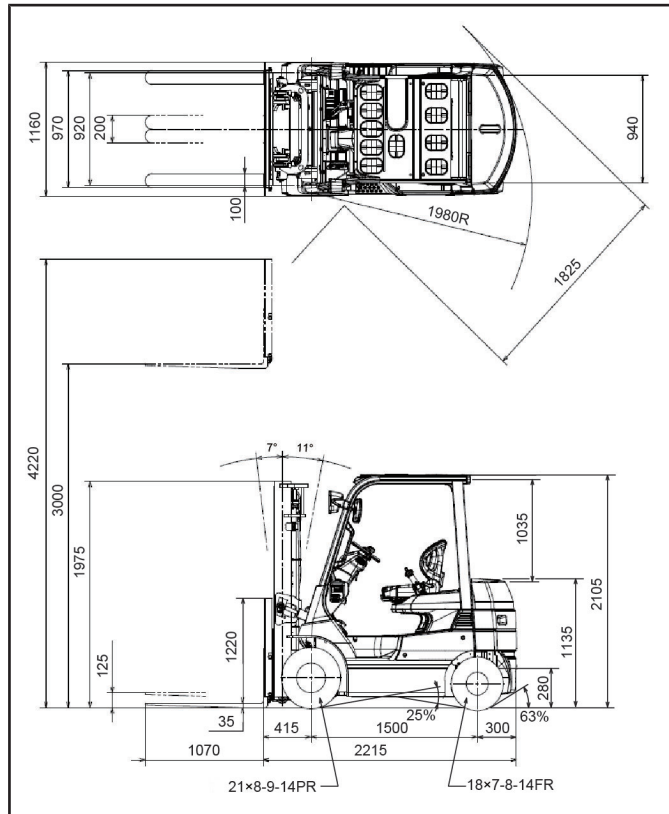
1	Manufacturer			TOYOTA	1	
2	Model			<b>40-8FB15</b>	2	
3	Load Capacity		kg	1500	3	
4	Load Center		mm	500	4	
5	Power Type			Battery	5	
6	Operator Position			Rider Seated	6	
7	Tire Type	Front/Rear		Pneumatic	7	
8	Wheels (x = driven)	Front/Rear		2x/2	8	
9	Maximum Fork Height (MFH)		mm	3000	9	
10	Free Lift		mm	125	10	
13	Fork Size	L x W x T	mm	1070/100/35	13	
	Fork Spread (Outside)	MAX./MIN.	mm	920/200		
14	Tilt Range	FWD/BWD	deg	7/11	14	
15	Length to Fork Face		mm	2215	15	
16	Overall Width		mm	1160	16	
17	Mast Lowered Height		mm	1975	17	
18	Mast Extended Height		mm	4220	18	
19	Overhead Guard Height		mm	2105	19	
21	Turning Radius (Outside)		mm	1980	21	
22	Load Distance (Centerline of front axle to front face of forks)		mm	415	22	
	Rear Overhang		mm	300		
23	Basic Right Angle Stacking Aisle Width (Add load length and clearance)		mm	2395	23	
	Intersecting Aisle Width		mm	1825		
24	Speeds *	Travel, Max. (FWD/RVS)	Full Load	km/h	14.0/14.0	24
			No Load	km/h	16.0/16.0	
25		Lifting	Full Load	mm/sec	380	25
			No Load	mm/sec	600	
26	Lowering	Full Load	mm/sec	500	26	
		No Load	mm/sec	500		
27	Drawbar Pull *	Full Load/ No Load	3-Minute Ratings	N (kg)	11330/10640 (1150/1080)	27
			5-Minute Ratings	N (kg)	11330/10640 (1150/1080)	
			60-Minute Ratings	N (kg)	4710/4900 (480/500)	
29	Gradeability *	Full Load/ No Load	3-Minute Ratings	% (tanθ)	24/25	29
			5-Minute Ratings	% (tanθ)	24/25	
			30-Minute Ratings	% (tanθ)	17/25	
32	Total Weight	Without Battery	kg	2475	32	
33	Weight Distribution (With STD capacity Lead-acid battery)	Full Load	Front	kg	4080	33
			Rear	kg	850	
34		No Load	Front	kg	1670	34
			Rear	kg	1760	
35		Number	Front/Rear		2/2	35
36	Tires	Size	Front		21X8-9-14PR	36
37			Rear		18X7-8-14PR	37
38	Wheelbase		mm	1500	38	
39	Tread	Front	mm	970	39	
		Rear	mm	940		
	Backrest Height			1220		
	Overhead Guard Clearance			1035		
	Counterweight Height			1135		
	Drawbar Height			280		
	Step Height/Floor Height			435/700		
40	Underclearance	Mast (Full Load)	mm	75	40	
41		Center of Wheelbase (Full Load)	mm	90	41	
		Drive Axle (Full Load)	mm	75		
		Steer Axle (No Load)	mm	120		
		Counterweight (No Load)	mm	115		
		Minimum Under Clearance (Full Load)	mm	75(Mast)		
	Grade Clearance	Frame	% (tanθ)	25		
		Counterweight	% (tanθ)	63		
42	Brake	Service (Foot)		Hydraulic	42	
43	Control System	Parking		Hand	43	
		System Voltage	V	48		
45	Battery (Lead-acid battery)	Voltage/Capacity (5-hour rating)	STD	V/AH	48/600	45
		Max.	V/AH	48/730		
46		Weight (STD Capacity Type)	kg	955	46	
47	Electric Motors	Drive	kW	10.7	47	
48		Load Handling	kW	12.2	48	
		Energy Consumption According to VDI Cycle **	kWh/h	4.3		
54	Control Type	Drive		Transistor inverter	54	
		Load Handling		Transistor inverter		
57	Operating Pressure	For Attachments	Mpa (psi)	14.7 (2100)	57	
	Sound level at the driver's ear according to EN12053 Uncertainty 4dB(A)		dB (A)	-		
	Vibration in accordance with in EN13059		m/s <sup>2</sup>	-		

NOTE: \* Computed values.

\*\* 60 VDI circles/h with Tested Load of 1500 kg.

## DIMENSIONAL DRAWINGS

Unit: mm

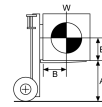


## UNDERCLEARANCE

Unit: mm

Mast (Full Load)	75
Center of Wheelbase (Full Load)	90
Drive Axle (Full Load)	75
Counterweight (No Load)	120
Steer Axle (No Load)	115
Minimum Under Clearance (No Load)	75 (Frame)

## RATED CAPACITIES



A: Max. Fork Height  
B: Load Center  
W: Capacity

### V, FV Mast (PN or PSC)

Unit: kg (W)

A (mm)	3000	3300	3500	3700	4000	4500	5000	
Single Tire	500	1500	1500	1500	1500	1450	1350	
	600	1350	1350	1350	1350	1300	1210	
	700	1230	1230	1230	1230	1230	1190	
	800	1120	1120	1120	1120	1120	1090	
	900	1040	1040	1040	1040	1040	1000	
	1000	970	970	970	970	970	930	
	1100	900	900	900	900	900	870	
	1200	850	850	850	850	850	820	
	Dual Tire	500	1500	1500	1500	1500	1450	1400
		600	1350	1350	1350	1350	1300	1260
700		1230	1230	1230	1230	1230	1190	
800		1120	1120	1120	1120	1120	1090	
900		1040	1040	1040	1040	1040	1000	
1000		970	970	970	970	970	930	
1100		900	900	900	900	900	870	
1200		850	850	850	850	850	820	

### FSV Mast (PN or PSC)

Unit: kg (W)

A (mm)	3700	4000	4300	4500	4700	5000	5500	6000	
Single Tire	500	1400	1400	1400	1350	1350	1200	1100	
	600	1260	1260	1260	1220	1220	1080	990	
	700	1150	1150	1150	1110	1110	990	900	
	800	1060	1060	1060	1020	1020	910	830	
	900	980	980	980	940	940	840	770	
	1000	910	910	910	880	880	780	710	
	1100	850	850	850	820	820	730	670	
	1200	800	800	800	770	770	680	630	
	Dual Tire	500	1400	1400	1400	1350	1350	1200	1100
		600	1260	1260	1260	1220	1220	1170	1130
700		1150	1150	1150	1110	1110	1070	1030	
800		1060	1060	1060	1020	1020	980	940	
900		980	980	980	940	940	910	870	
1000		910	910	910	880	880	840	810	
1100		850	850	850	820	820	790	760	
1200		800	800	800	770	770	740	710	

## MAST SPECIFICATIONS & RATED CAPACITIES

Mast Type	Maximum Fork Height	Overall Height		Free Lift		Tilt Range		Load Capacity at 500 mm LC		
		Lowered*	Extended		Without Load Backrest	With Standard Load Backrest	FWD	BWD	Single	Dual
			Without Load Backrest	With Standard Load Backrest						
Wide Visible Mast (V)	mm	mm	mm	mm	mm	mm	deg	deg	kg	kg
	2500	1725	3170	3720	125	125	7	11	1500	1500
	2700	1825	3370	3920	125	125	7	11	1500	1500
	3000	1975	3670	4220	125	125	7	11	1500	1500
	3300	2125	3970	4520	125	125	7	11	1500	1500
	3500	2225	4170	4720	125	125	7	11	1500	1500
	3700	2385	4370	4920	125	125	7	11	1500	1500
	4000	2575	4670	5220	125	125	7	11	1500	1500
Wide Visible Full-Free Lift Two-Stage Mast (FV)	3000	1975	3605	4220	1370*	755*	7	11	1500	1500
	3300	2125	3905	4520	1520*	905*	7	11	1500	1500
	3500	2225	4105	4720	1620*	1005*	7	11	1500	1500
	3700	2385	4305	4920	1780*	1165*	7	11	1500	1500
Wide Visible Full-Free Lift Three-Stage Mast (FSV)	4000	2575	4605	5220	1970*	1355*	7	11	1500	1500
	3700	1775	4345	4920	1130*	555*	7	5	1400	1400
	4000	1875	4645	5220	1230*	655*	7	5	1400	1400
	4300	1975	4945	5520	1330*	755*	7	5	1400	1400
	4500	2045	5145	5720	1400*	825*	7	5	1350	1350
	4700	2125	5345	5920	1480*	905*	7	5	1350	1350
	5000	2225	5645	6220	1580*	1005*	7	5	1200	1300
5500	2385	6145	6720	1740*	1165*	7	5	1100	1250	
6000	2575	6645	7220	1930*	1355*	7	5	900	1100	

NOTE: Height of standard load backrest is 1220 mm.  
\* with optional tire sized 23x9-10-16PR, plus 20mm.

# 1,750 kg

## MAIN VEHICLE SPECIFICATIONS

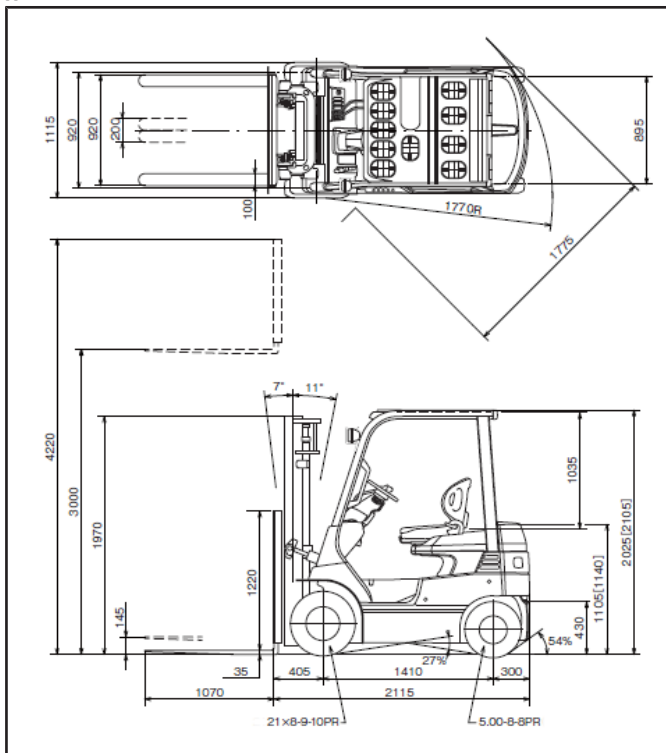
1	Manufacturer			TOYOTA	TOYOTA	TOYOTA	1	
2	Model			<b>8FB18</b>	<b>60-8FB18</b>	<b>8FBH18</b>	2	
3	Load Capacity		kg	1750	1750	1750	3	
4	Load Center		mm	500	500	500	4	
5	Power Type			Battery	Battery	Battery	5	
6	Operator Position			Rider Seated	Rider Seated	Rider Seated	6	
7	Tire Type		Front/Rear	Pneumatic	Pneumatic	Pneumatic	7	
8	Wheels (x = driven)		Front/Rear	2x/2	2x/2	2x/2	8	
9	Maximum Fork Height (MFH)		mm	3000	3000	3000	9	
10	Free Lift		mm	145	145	145	10	
13	Fork Size		L x W x T	1070/100/35	1070/100/35	1070/100/35	13	
	Lateral Fork Adjustment		MAX./MIN.	920/200	920/200	920/200		
14	Tilt Range		FWD/BWD	deg	7/11	7/11	14	
15	Length to Fork Face		mm	2115	2115	2115	15	
16	Overall Width		mm	1115	1115	1115	16	
17	Mast Lowered Height		mm	1970	1970	1970	17	
18	Mast Extended Height		mm	4220	4220	4220	18	
19	Overhead Guard Height		mm	2025	2025	2105	19	
21	Turning Radius (Outside)		mm	1780	1780	1780	21	
22	Load Distance (Centerline of front axle to front face of forks)		mm	405	405	405	22	
	Rear Overhang		mm	300	300	300		
23	Basic Right Angle Stacking Aisle Width (Add load length and clearance)		mm	2185	2185	2185	23	
	Intersecting Aisle Width		mm	1775	1775	1775		
24	Speeds *	Travel, Max. (FWD/RVS)	Full Load	km/h	14.5/14.5	14.5/14.5	24	
			No Load	km/h	17.0/17.0	17.0/17.0		
		Lifting	Full Load	mm/sec	370	370		
25			No Load	mm/sec	650	650	25	
26	Lowering		Full Load	mm/sec	500	500	26	
			No Load	mm/sec	550	550		
27	Drawbar Pull *	Full Load/ No Load	3-Minute Ratings	N (kg)	9240/8620(940/870)	9240/8620(940/870)	9210/8600(930/870)	
			5-Minute Ratings	N (kg)	9240/8620(940/870)	9240/8620(940/870)	9210/8600(930/870)	
			60-Minute Ratings	N (kg)	2750/2940(280/300)	2750/2940(280/300)	2750/2940(280/300)	
29	Gradeability *	Full Load/ No Load	3-Minute Ratings	% (tanθ)	18/23	18/23	17/23	
			5-Minute Ratings	% (tanθ)	18/23	18/23	17/23	
			30-Minute Ratings	% (tanθ)	11/18	11/18	11/18	
32	Total Weight		Without Battery	kg	2310	2355	32	
33	Weight Distribution (With STD capacity Lead-acid battery/Min. capacity Lithium-ion bat- tery)	Full Load	Front	kg	4240	4330	33	
			Rear	kg	500	500	620	
34	No Load		Front	kg	1370	1460	34	
			Rear	kg	1620	1620	1740	
35	Tires		Number	Front/Rear	2/2	2/2	35	
36	Size		Front		21X8-9-10PR	21X8-9-10PR	36	
37			Rear		5.00-8-10PR	5.00-8-10PR	5.00-8-10PR	
38	Wheelbase		mm	1410	1410	1410	38	
39	Tread		mm	920	920	920	39	
			Rear	mm	895	895	895	
	Backrest Height		mm	1220	1220	1220		
	Overhead Guard Clearance		mm	1035	1035	1035		
	Counterweight Height		mm	1105	1105	1140		
	Drawbar Height		mm	430	430	430		
	Step Height/Floor Height		mm	430/615	430/615	430/695		
40	Underclearance	Mast (Full Load)		mm	65	65	40	
41		Center of Wheelbase (Full Load)		mm	85	85	41	
		Drive Axle (Full Load)		mm	65	65		
		Steer Axle (No Load)		mm	125	125		
		Counterweight (No Load)		mm	120	120		
		Minimum Under Clearance (Full Load)		mm	65(Mast)	65(Mast)	65(Mast)	
	Grade Clearance		Frame	% (tanθ)	27	27		
			Counterweight	% (tanθ)	54	54	54	
42	Brake		Service (Foot)		Hydraulic	Hydraulic	42	
43	Parking			Hand	Hand	Hand	43	
	Control System		System Voltage	V	48	48		
45	Battery (Lead-acid battery)	Voltage/Capacity (5-hour rating)	STD	V/AH	48/400	-	48/545	
46			Max.	V/AH	48/485	-	-	
	Weight (STD Capacity Type)		kg	680	-	845	46	
45	Battery (Lithium-ion battery)	Voltage/Capacity (5-hour rating)	Min.	V/AH	-	51.52/456	-	
46			Max.	V/AH	-	-	-	
47	Weight (Min. Capacity Type)		kg	-	680	-	46	
48	Electric Motors	Drive	kW	7.6	7.6	7.6	47	
			Load Handling	kW	9.5	9.5	9.5	
	Energy Consumption According to VDI Cycle **		kWh/h	4.2	4.2	4.3		
54	Control Type	Drive			Trasistor inverter	Trasistor inverter	Trasistor inverter	
			Load Handling			Trasistor inverter	Trasistor inverter	Trasistor inverter
57	Operating Pressure		For Attachments	Mpa (psi)	11.8(1700)	11.8(1700)	11.8(1700)	57
	Sound level at the driver's ear according to EN12053 Uncertainty 4dB(A)			dB (A)	68	68	68	
	Vibration in accordance with in EN13059			m/s2	1.5	1.5	1.5	

NOTE: \* Computed values.

\*\* 60 VDI circles/h with Tested Load of 1750 kg.

## DIMENSIONAL DRAWINGS

Unit: mm  
[ ] for 8FBH18

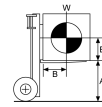


## UNDERCLEARANCE

Unit: mm

Mast (Full Load)	65
Center of Wheelbase (Full Load)	85
Drive Axle (Full Load)	65
Steer Axle (No Load)	125
Counterweight (No Load)	120
Minimum Under Clearance (Full Load)	65(Mast)

## RATED CAPACITIES



A: Max. Fork Height  
B: Load Center  
W: Capacity

### V, FV Mast (PN or PSC)

Unit: kg (W)

A (mm)	3000	3300	3500	3700	4000	4500	5000
Single Tire	500	1750	1750	1750	1750	1550	1200
	600	1570	1570	1570	1570	1390	1080
	700	1430	1430	1430	1430	1260	980
	800	1310	1310	1310	1310	1160	900
	900	1210	1210	1210	1210	1070	830
	1000	1120	1120	1120	1120	990	770
	1100	1050	1050	1050	1050	930	720
	1200	980	980	980	980	870	670
Dual Tire	500	1750	1750	1750	1750	1650	1550
	600	1570	1570	1570	1570	1480	1390
	700	1430	1430	1430	1430	1350	1260
	800	1310	1310	1310	1310	1310	1230
	900	1210	1210	1210	1210	1210	1160
	1000	1120	1120	1120	1120	1120	1060
	1100	1050	1050	1050	1050	1050	990
	1200	980	980	980	980	980	930

### FSV Mast (PN or PSC)

Unit: kg (W)

A (mm)	3700	4000	4300	4500	4700	5000	5500	6000
Single Tire	500	1600	1600	1550	1500	1500	1250	900
	600	1440	1440	1390	1350	1350	1120	810
	700	1310	1310	1270	1230	1230	1020	730
	800	1200	1200	1170	1130	1130	940	670
	900	1110	1110	1080	1040	1040	870	620
	1000	1030	1030	1000	970	970	810	580
	1100	970	970	930	900	900	750	540
	1200	910	910	880	850	850	710	510
Dual Tire	500	1600	1600	1550	1500	1500	1450	1400
	600	1440	1440	1390	1350	1350	1300	1260
	700	1310	1310	1270	1230	1230	1190	1150
	800	1200	1200	1170	1130	1130	1090	1050
	900	1100	1100	1080	1040	1040	1010	970
	1000	1030	1030	1000	970	970	940	900
	1100	970	970	930	900	900	870	840
	1200	910	910	880	850	850	820	790

## MAST SPECIFICATIONS & RATED CAPACITIES

Mast Type	Maximum Fork Height	Overall Height			Free Lift		Tilt Range		Load Capacity at 500 mm LC	
		Lowered*	Extended		Without Load Backrest	With Standard Load Backrest	FWD	BWD	Single	Dual
			Without Load Backrest	With Standard Load Backrest						
Wide Visible Mast (V)	2500	1720	3105	3720	145	145	7	11	1750	1750
	2700	1820	3305	3920	145	145	7	11	1750	1750
	3000	1970	3605	4220	145	145	7	11	1750	1750
	3300	2120	3905	4520	145	145	7	11	1750	1750
	3500	2220	4105	4720	145	145	7	11	1750	1750
	3700	2380	4305	4920	145	145	7	11	1750	1750
	4000	2570	4605	5220	145	145	7	5<11>	1750	1750
	4500	2820	5105	5720	145	145	7	5	1550	1650
Wide Visible Full-Free Lift Two-Stage Mast (FV)	3000	1970	3565	4220	1405*	750*	7	11	1750	1750
	3300	2120	3865	4520	1555*	900*	7	11	1750	1750
	3500	2220	4065	4720	1655*	1000*	7	11	1750	1750
	3700	2380	4265	4920	1815*	1160*	7	11	1750	1750
Wide Visible Full-Free Lift Three-Stage Mast (FSV)	4000	2570	4565	5220	2005*	1350*	7	5<11>	1750	1750
	3700	1770	4240	4920	1235*	550*	7	5	1600	1600
	4000	1870	4540	5220	1335*	650*	7	5	1600	1600
	4300	1970	4840	5520	1435*	750*	7	5	1550	1550
	4500	2040	5040	5720	1505*	820*	7	5	1500	1500
	4700	2120	5240	5920	1585*	900*	7	5	1500	1500
	5000	2220	5540	6220	1685*	1000*	7	5	1250	1450
	5500	2380	6040	6720	1845*	1160*	7	5	900	1400
6000	2570	6540	7220	2035*	1350*	7	5	750	1150	

NOTE: Height of standard load backrest is 1220 mm.  
\* with optional tire sized 6.50-10-12PR, plus 25mm.  
<> for dual tires.

# 2,000 kg

## MAIN VEHICLE SPECIFICATIONS

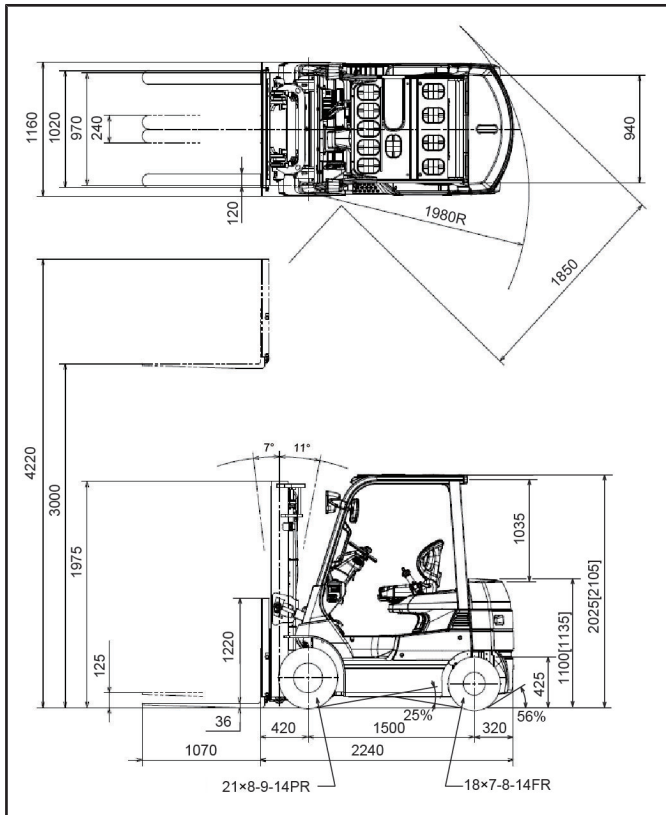
1	Manufacturer			TOYOTA	TOYOTA	TOYOTA	1	
2	Model			<b>8FB20</b>	<b>60-8FB20</b>	<b>8FBH20</b>	2	
3	Load Capacity		kg	2000	2000	2000	3	
4	Load Center		mm	500	500	500	4	
5	Power Type			Battery	Battery	Battery	5	
6	Operator Position			Rider Seated	Rider Seated	Rider Seated	6	
7	Tire Type	Front/Rear		Pneumatic	Pneumatic	Pneumatic	7	
8	Wheels (x = driven)	Front/Rear		2x/2	2x/2	2x/2	8	
9	Maximum Fork Height (MFH)		mm	3000	3000	3000	9	
10	Free Lift		mm	125	125	125	10	
13	Fork Size	L x W x T	mm	1070/120/36	1070/120/36	1070/120/36	13	
	Lateral Fork Adjustment	MAX./MIN.	mm	1020/240	1020/240	1020/240		
14	Tilt Range	FWD/BWD	deg	7/11	7/11	7/11	14	
15	Length to Fork Face		mm	2240	2240	2240	15	
16	Overall Width		mm	1160	1160	1160	16	
17	Mast Lowered Height		mm	1975	1975	1975	17	
18	Mast Extended Height		mm	4220	4220	4220	18	
19	Overhead Guard Height		mm	2025	2025	2105	19	
21	Turning Radius (Outside)		mm	1980	1980	1980	21	
22	Load Distance (Centerline of front axle to front face of forks)		mm	420	420	420	22	
	Rear Overhang		mm	320	320	320		
23	Basic Right Angle Stacking Aisle Width (Add load length and clearance)		mm	2400	2400	2400	23	
	Intersecting Aisle Width		mm	1850	1850	1850		
24	Speeds *	Travel, Max. (FWD/RVS)	Full Load	km/h	14.5/14.5	14.5/14.5	14.5/14.5	24
No Load			km/h	16.5/16.5	16.5/16.5	16.5/16.5		
Lifting		Full Load	mm/sec	360	360	360	25	
		No Load	mm/sec	600	600	600		
Lowering		Full Load	mm/sec	500	500	500	26	
		No Load	mm/sec	500	500	500		
27	Drawbar Pull *	Full Load/ No Load	3-Minute Ratings	N (kg)	11260/10640 (1140/1080)	11260/10640 (1140/1080)	11210/10600 (1140/1080)	27
5-Minute Ratings			N (kg)	11260/10640 (1140/1080)	11260/10640 (1140/1080)	11210/10600 (1140/1080)		
60-Minute Ratings			N (kg)	4710/4900 (480/500)	4710/4900 (480/500)	4710/4900 (480/500)		
29	Gradeability *	Full Load/ No Load	3-Minute Ratings	% (tanθ)	22/23	22/23	20/23	29
5-Minute Ratings			% (tanθ)	22/23	22/23	20/23		
30-Minute Ratings			% (tanθ)	15/22	15/22	15/22		
			% (tanθ)	15/22	15/22	15/22		
32	Total Weight	Without Battery	kg	2580	2580	2600	32	
33	Weight Distribution (With STD capacity Lead-acid battery/Min. capacity Lithium-ion bat- tery)	Full Load	Front	kg	4800	4840	4990	33
Rear			kg	530	580	770		
34	No Load	Front	kg	1570	1610	1760	34	
Rear		kg	1760	1810	2000			
35	Tires	Number	Front/Rear		2/2	2/2	35	
36	Size	Front		21X8-9-14PR	21X8-9-14PR	21X8-9-14PR	36	
37		Rear		18X7-8-14PR	18X7-8-14PR	18X7-8-14PR	37	
38	Wheelbase		mm	1500	1500	1500	38	
39	Tread	Front	mm	970	970	970	39	
Rear		mm	940	940	940			
	Backrest Height		mm	1220	1220	1220		
	Overhead Guard Clearance		mm	1035	1035	1035		
	Counterweight Height		mm	1100	1100	1135		
	Drawbar Height		mm	425	425	425		
	Step Height/Floor Height		mm	435/620	435/620	435/700		
40	Underclearance	Mast (Full Load)	mm	70	70	70	40	
41		Center of Wheelbase (Full Load)	mm	90	90	90	41	
		Drive Axle (Full Load)	mm	70	70	70		
		Steer Axle (No Load)	mm	120	120	120		
		Counterweight (No Load)	mm	115	115	115		
		Minimum Under Clearance (Full Load)	mm	70(Mast)	70(Mast)	70(Mast)		
	Grade Clearance	Frame	% (tanθ)	25	25	25		
		Counterweight	% (tanθ)	56	56	56		
42	Brake	Service (Foot)		Hydraulic	Hydraulic	Hydraulic	42	
43	Parking			Hand	Hand	Hand	43	
	Control System	System Voltage	V	48	48	48		
45	Battery (Lead-acid battery)	Voltage/Capacity (5-hour rating)	STD	V/AH	48/450	-	48/730	45
46		Max.	V/AH	48/600	-	-		
	Weight (STD Capacity Type)	kg	750	-	-	1160	46	
45	Battery (Lithium-ion battery)	Voltage/Capacity (5-hour rating)	Min.	V/AH	-	51.52/604	-	45
46		Max.	V/AH	-	-	-	-	
47	Weight (Min. Capacity Type)	kg	-	850	-	-	46	
48	Electric Motors	Drive	kW	10.7	10.7	10.7	47	
		Load Handling	kW	12.2	12.2	12.2	48	
	Energy Consumption According to VDI Cycle **	kWh/h	4.1	4.1	4.2			
54	Control Type	Drive		Transistor inverter	Transistor inverter	Transistor inverter	54	
		Load Handling		Transistor inverter	Transistor inverter	Transistor inverter		
57	Operating Pressure	For Attachments	Mpa (psi)	14.7(2100)	14.7(2100)	14.7(2100)	57	
	Sound level at the driver's ear according to EN12053 Uncertainty 4dB(A)		dB(A)	67	67	67		
	Vibration in accordance with in EN13059		m/s2	1.5	1.5	1.5		

NOTE: \* Computed values.

\*\* 60 VDI circles/h with Tested Load of 2000 kg.

## DIMENSIONAL DRAWINGS

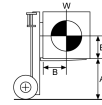
Unit: mm  
[ ] for 8FBH20



## UNDERCLEARANCE

Mast (Full Load)	70
Center of Wheelbase (Full Load)	90
Drive Axle (Full Load)	70
Steer Axle (No Load)	120
Counterweight (No Load)	115
Minimum Under Clearance (Full Load)	70(Mast)

## RATED CAPACITIES



A: Max. Fork Height  
B: Load Center  
W: Capacity

### V, FV Mast (PN or PSC)

Unit: kg (W)

A (mm)	3000	3300	3500	3700	4000	4500	5000
Single Tire	500	2000	2000	2000	2000	1900	1650
	600	1800	1800	1800	1800	1710	1480
	700	1640	1640	1640	1640	1640	1560
	800	1500	1500	1500	1500	1500	1430
	900	1390	1390	1390	1390	1390	1320
	1000	1290	1290	1290	1290	1290	1230
	1100	1210	1210	1210	1210	1210	1150
	1200	1130	1130	1130	1130	1130	1070
	1300	1070	1070	1070	1070	1070	1010
	1300	1070	1070	1070	1070	1070	1010
Dual Tire	500	2000	2000	2000	2000	1900	1800
	600	1800	1800	1800	1800	1710	1620
	700	1640	1640	1640	1640	1640	1560
	800	1500	1500	1500	1500	1500	1430
	900	1390	1390	1390	1390	1390	1320
	1000	1290	1290	1290	1290	1290	1230
	1100	1210	1210	1210	1210	1210	1150
	1200	1130	1130	1130	1130	1130	1070
	1300	1070	1070	1070	1070	1070	1010
	1300	1070	1070	1070	1070	1070	1010

### FSV Mast (PN or PSC)

Unit: kg (W)

A (mm)	3700	4000	4300	4500	4700	5000	5500	6000
Single Tire	500	1900	1900	1850	1800	1800	1550	900
	600	1710	1710	1670	1620	1620	1400	810
	700	1560	1560	1520	1480	1480	1270	990
	800	1440	1440	1400	1360	1360	1170	910
	900	1330	1330	1300	1260	1260	1090	840
	1000	1240	1240	1210	1170	1170	1010	780
	1100	1160	1160	1130	1100	1100	940	730
	1200	1090	1090	1060	1030	1030	890	690
	1300	1030	1030	1000	970	970	840	650
	1300	1030	1030	1000	970	970	840	650
Dual Tire	500	1900	1900	1850	1800	1800	1750	1500
	600	1710	1710	1670	1620	1620	1580	1350
	700	1560	1560	1520	1480	1480	1440	1400
	800	1440	1440	1400	1360	1360	1320	1290
	900	1330	1330	1300	1260	1260	1230	1190
	1000	1240	1240	1210	1170	1170	1140	1110
	1100	1160	1160	1130	1100	1100	1070	1040
	1200	1090	1090	1060	1030	1030	1000	970
	1300	1030	1030	1000	970	970	940	920
	1300	1030	1030	1000	970	970	940	920

## MAST SPECIFICATIONS & RATED CAPACITIES

Mast Type	Maximum Fork Height	Overall Height			Free Lift		Tilt Range		Load Capacity at 500 mm LC	
		Lowered*	Extended		Without Load Backrest	With Standard Load Backrest	FWD	BWD	Single	Dual
			Without Load Backrest	With Standard Load Backrest						
Wide Visible Mast (V)	2500	1725	3170	3720	125	125	7	11	2000	2000
	2700	1825	3370	3920	125	125	7	11	2000	2000
	3000	1975	3670	4220	125	125	7	11	2000	2000
	3300	2125	3970	4520	125	125	7	11	2000	2000
	3500	2225	4170	4720	125	125	7	11	2000	2000
	3700	2385	4370	4920	125	125	7	11	2000	2000
	4000	2575	4670	5220	125	125	7	11	2000	2000
	4500	2825	5170	5720	125	125	7	5	1900	1900
Wide Visible Full-Free Lift Two-Stage Mast (FV)	3000	1975	3605	4220	1370*	755*	7	11	2000	2000
	3300	2125	3905	4520	1520*	905*	7	11	2000	2000
	3500	2225	4105	4720	1620*	1005*	7	11	2000	2000
	3700	2385	4305	4920	1780*	1165*	7	11	2000	2000
Wide Visible Full-Free Lift Three-Stage Mast (FSV)	4000	2575	4605	5220	1970*	1355*	7	11	2000	2000
	3700	1775	4345	4920	1130*	555*	7	5	1900	1900
	4000	1875	4645	5220	1230*	655*	7	5	1900	1900
	4300	1975	4945	5520	1330*	755*	7	5	1850	1850
	4500	2045	5145	5720	1400*	825*	7	5	1800	1800
	4700	2125	5345	5920	1480*	905*	7	5	1800	1800
	5000	2225	5645	6220	1580*	1005*	7	5	1550	1750
	5500	2385	6145	6720	1740*	1165*	7	5	1200	1700
6000	2575	6645	7220	1930*	1355*	7	5	900	1500	

NOTE: Height of standard load backrest is 1220 mm.  
\* with optional tire sized 23x9-10-16PR, plus 20mm.

# 2,000 kg

## MAIN VEHICLE SPECIFICATIONS

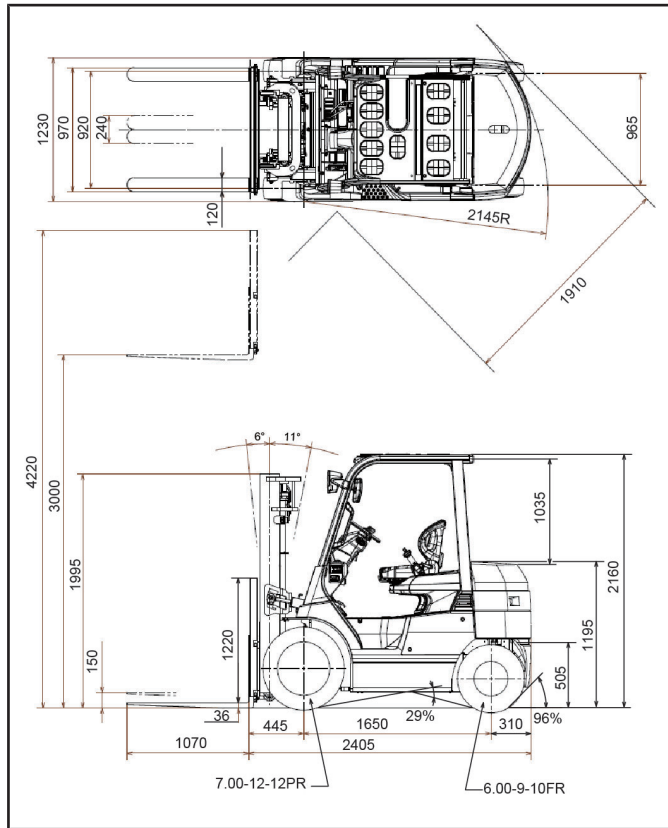
1	Manufacturer			TOYOTA	1	
2	Model			<b>40-8FB20</b>	2	
3	Load Capacity	kg		2000	3	
4	Load Center	mm		500	4	
5	Power Type			Battery	5	
6	Operator Position			Rider Seated	6	
7	Tire Type	Front/Rear		Pneumatic	7	
8	Wheels (x = driven)	Front/Rear		2x/2	8	
9	Maximum Fork Height (MFH)		mm	3000	9	
10	Free Lift		mm	150	10	
13	Fork Size	L x W x T	mm	1070/120/36	13	
	Fork Spread (Outside)	MAX./MIN.	mm	1020/240		
14	Tilt Range	FWD/BWD	deg	6/11	14	
15	Length to Fork Face		mm	2405	15	
16	Overall Width		mm	1230	16	
17	Mast Lowered Height		mm	1995	17	
18	Mast Extended Height		mm	4220	18	
19	Overhead Guard Height		mm	2160	19	
21	Turning Radius (Outside)		mm	2145	21	
22	Load Distance (Centerline of front axle to front face of forks)		mm	445	22	
	Rear Overhang		mm	310		
23	Basic Right Angle Stacking Aisle Width (Add load length and clearance)		mm	2590	23	
	Intersecting Aisle Width		mm	1910		
24	Speeds *	Travel, Max. (FWD/RVS)	Full Load	km/h	14.5/14.5	24
No Load			km/h	15.5/15.5		
Lifting		Full Load	mm/sec	360	25	
		No Load	mm/sec	600		
26	Lowering	Full Load	mm/sec	500	26	
No Load		mm/sec	500			
27	Drawbar Pull *	Full Load/ No Load	3-Minute Ratings	N (kg)	12650/11980 (1290/1220)	27
5-Minute Ratings			N (kg)	12650/11980 (1290/1220)		
60-Minute Ratings			N (kg)	5300/5390 (540/550)		
29	Gradeability *	Full Load/ No Load	3-Minute Ratings	% (tanθ)	21/24	29
5-Minute Ratings			% (tanθ)	21/24		
30-Minute Ratings			% (tanθ)	14/21		
32	Total Weight	Without Battery	kg	2900	32	
33	Weight Distribution (With STD capacity Lead-acid battery)	Full Load	Front	kg	5170	33
			Rear	kg	1050	
34		No Load	Front	kg	2020	34
			Rear	kg	2200	
35		Number	Front/Rear		2/2	35
36	Tires	Size	Front		7.00-12-12PR	36
37			Rear		6.00-9-10PR	37
38	Wheelbase		mm	1650	38	
39	Tread	Front	mm	960	39	
		Rear	mm	965		
	Backrest Height			1220		
	Overhead Guard Clearance			1035		
	Counterweight Height			1195		
	Drawbar Height			505		
	Step Height/Floor Height			490/755		
40	Underclearance	Mast (Full Load)	mm	85	40	
41		Center of Wheelbase (Full Load)	mm	110	41	
		Drive Axle (Full Load)	mm	125		
		Steer Axle (No Load)		150		
		Counterweight (No Load)	mm	160		
		Minimum Under Clearance (Full Load)	mm	85(Mast)		
	Grade Clearance	Frame	% (tanθ)	29		
		Counterweight	% (tanθ)	96		
42	Brake	Service (Foot)		Hydraulic	42	
43		Parking		Hand	43	
	Control System	System Voltage	V	48		
45	Battery (Lead-acid battery)	Voltage/Capacity (5-hour rating)	STD	V/AH	48/845	45
46		Max.	V/AH	-		
47		Weight (STD Capacity Type)	kg	1320	46	
48	Electric Motors	Drive	kW	10.7	47	
		Load Handling	kW	12.2	48	
		Energy Consumption According to VDI Cycle **	kWh/h	4.2		
54	Control Type	Drive		Transistor inverter	54	
		Load Handling		Transistor inverter		
57	Operating Pressure	For Attachments	Mpa (psi)	14.7 (2100)	57	
	Sound level at the driver's ear according to EN12053 Uncertainty 4dB(A)		dB (A)	-		
	Vibration in accordance with in EN13059		m/s <sup>2</sup>	-		

NOTE: \* Computed values.

\*\* 60 VDI circles/h with Tested Load of 2000 kg.

## DIMENSIONAL DRAWINGS

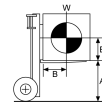
Unit: mm



### UNDERCLEARANCE

Mast (Full Load)	85
Center of Wheelbase (Full Load)	110
Drive Axle (Full Load)	125
Steer Axle (No Load)	150
Counterweight (No Load)	160
Minimum Under Clearance (No Load)	85(Mast)

## RATED CAPACITIES



A: Max. Fork Height  
B: Load Center  
W: Capacity

### V, FV Mast (PN or PSC)

Unit: kg (W)

A (mm)	3000	3300	3500	3700	4000	4500	5000
Single Tire	500	2000	2000	2000	2000	1900	1650
	600	1810	1810	1810	1810	1720	1490
	700	1650	1650	1650	1650	1650	1570
	800	1520	1520	1520	1520	1520	1440
	900	1410	1410	1410	1410	1410	1340
	1000	1310	1310	1310	1310	1310	1250
	1100	1230	1230	1230	1230	1230	1170
	1200	1150	1150	1150	1150	1150	1090
	1300	1090	1090	1090	1090	1090	1030
	Dual Tire	500	2000	2000	2000	2000	1900
600		1810	1810	1810	1810	1720	1630
700		1650	1650	1650	1650	1650	1570
800		1520	1520	1520	1520	1520	1440
900		1410	1410	1410	1410	1410	1340
1000		1310	1310	1310	1310	1310	1250
1100		1230	1230	1230	1230	1230	1170
1200		1150	1150	1150	1150	1150	1090
1300		1090	1090	1090	1090	1090	1030

### FSV Mast (PN or PSC)

Unit: kg (W)

A (mm)	3700	4000	4300	4500	4700	5000	5500	6000
Single Tire	500	1900	1900	1850	1800	1800	1550	900
	600	1720	1720	1670	1630	1630	1400	810
	700	1570	1570	1530	1490	1490	1280	740
	800	1450	1450	1410	1370	1370	1180	680
	900	1340	1340	1310	1270	1270	1100	630
	1000	1250	1250	1220	1190	1190	1020	590
	1100	1170	1170	1140	1110	1110	960	550
	1200	1100	1100	1070	1040	1040	900	520
	1300	1040	1040	1010	990	990	850	490
	Dual Tire	500	1900	1900	1850	1800	1800	1750
600		1720	1720	1670	1630	1630	1580	1360
700		1570	1570	1530	1490	1490	1450	1240
800		1450	1450	1410	1370	1370	1330	1140
900		1340	1340	1310	1270	1270	1240	1060
1000		1250	1250	1220	1190	1190	1150	990
1100		1170	1170	1140	1110	1110	1080	930
1200		1100	1100	1070	1040	1040	1020	870
1300		1040	1040	1010	990	990	960	820

## MAST SPECIFICATIONS & RATED CAPACITIES

Mast Type	Maximum Fork Height	Overall Height			Free Lift		Tilt Range		Load Capacity at 500 mm LC	
		Lowered	Extended		Without Load Backrest	With Standard Load Backrest	FWD	BWD	Single	Dual
			Without Load Backrest	With Standard Load Backrest						
Wide Visible Mast (V)	2500	1745	3160	3720	150	150	6	11	2000	2000
	2700	1845	3360	3920	150	150	6	11	2000	2000
	3000	1995	3660	4220	150	150	6	11	2000	2000
	3300	2145	3960	4520	150	150	6	11	2000	2000
	3500	2245	4160	4720	150	150	6	11	2000	2000
	3700	2405	4360	4920	150	150	6	11	2000	2000
	4000	2595	4660	5220	150	150	6	11	2000	2000
	4500	2845	5160	5720	150	150	6	6	1900	1900
Wide Visible Full-Free Lift Two-Stage Mast (FV)	3000	1995	3600	4220	1395	775	6	11	2000	2000
	3300	2145	3900	4520	1545	925	6	11	2000	2000
	3500	2245	4100	4720	1645	1025	6	11	2000	2000
	3700	2405	4300	4920	1805	1185	6	11	2000	2000
Wide Visible Full-Free Lift Three-Stage Mast (FSV)	4000	2595	4600	5220	1995	1375	6	11	2000	2000
	3700	1795	4270	4920	1225	575	6	6	1900	1900
	4000	1895	4570	5220	1325	675	6	6	1900	1900
	4300	1995	4870	5520	1425	775	6	6	1850	1850
	4500	2065	5070	5720	1495	845	6	6	1800	1800
	4700	2145	5270	5920	1575	925	6	6	1800	1800
	5000	2245	5570	6220	1675	1025	6	6	1550	1750
	5500	2405	6070	6720	1835	1185	6	6	1200	1700
6000	2595	6570	7220	2025	1375	6	6	900	1500	

NOTE: Height of standard load backrest is 1220 mm.

# 2,500 kg

## MAIN VEHICLE SPECIFICATIONS

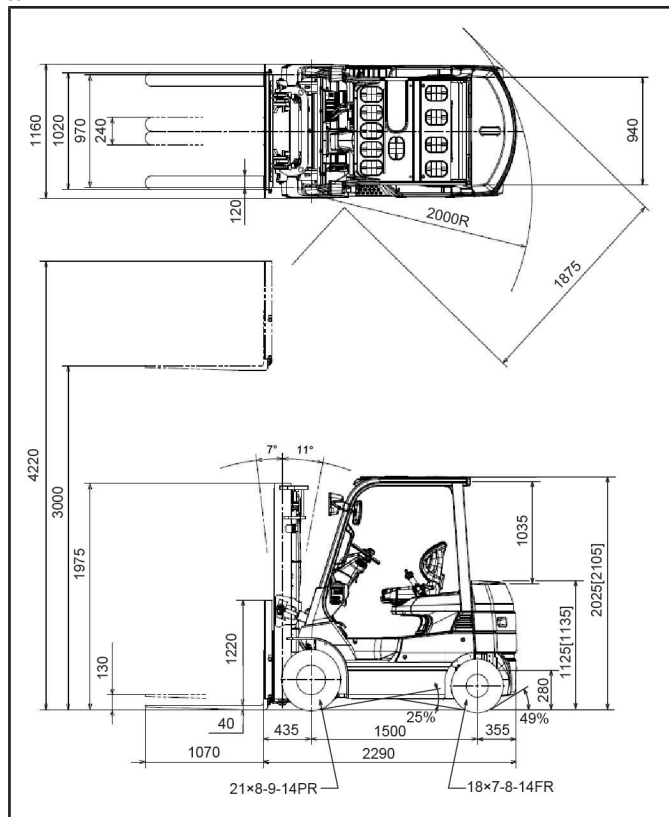
1	Manufacturer			TOYOTA	TOYOTA	TOYOTA	1	
2	Model			<b>8FB25</b>	<b>60-8FB25</b>	<b>8FBH25</b>	2	
3	Load Capacity		kg	2500	2500	2500	3	
4	Load Center		mm	500	500	500	4	
5	Power Type			Battery	Battery	Battery	5	
6	Operator Position			Rider Seated	Rider Seated	Rider Seated	6	
7	Tire Type	Front/Rear		Pneumatic	Pneumatic	Pneumatic	7	
8	Wheels (x = driven)	Front/Rear		2x/2	2x/2	2x/2	8	
9	Maximum Fork Height (MFH)		mm	3000	3000	3000	9	
10	Free Lift		mm	130	130	130	10	
13	Fork Size	L x W x T	mm	1070/120/40	1070/120/40	1070/120/40	13	
	Lateral Fork Adjustment	MAX./MIN.	mm	1020/240	1020/240	1020/240		
14	Tilt Range	FWD/BWD	deg	7/11	7/11	7/11	14	
15	Length to Fork Face		mm	2290	2290	2290	15	
16	Overall Width		mm	1160	1160	1160	16	
17	Mast Lowered Height		mm	1975	1975	1975	17	
18	Mast Extended Height		mm	4220	4220	4220	18	
19	Overhead Guard Height		mm	2025	2025	2105	19	
21	Turning Radius (Outside)		mm	2000	2000	2000	21	
22	Load Distance (Centerline of front axle to front face of forks)		mm	435	435	435	22	
	Rear Overhang		mm	355	355	355		
23	Basic Right Angle Stacking Aisle Width (Add load length and clearance)		mm	2430	2430	2430	23	
	Intersecting Aisle Width		mm	1875	1875	1875		
24	Speeds *	Travel, Max. (FWD/RVS)	Full Load	km/h	14.0/14.0	14.0/14.0	14.0/14.0	24
No Load			km/h	16.0/16.0	16.0/16.0	16.0/16.0		
Lifting		Full Load	mm/sec	340	340	340	25	
		No Load	mm/sec	600	600	600		
Lowering		Full Load	mm/sec	500	500	500	26	
		No Load	mm/sec	500	500	500		
27	Drawbar Pull *	Full Load/ No Load	3-Minute Ratings	N (kg)	11090/10560 (1130/1070)	11090/10560 (1130/1070)	11060/11530 (1120/1170)	27
5-Minute Ratings			N (kg)	11090/10560 (1130/1070)	11090/10560 (1130/1070)	11060/11530 (1120/1170)		
60-Minute Ratings			N (kg)	4510/4810 (460/490)	4510/4810 (460/490)	4510/4810 (460/490)		
29	Gradeability *	Full Load/ No Load	3-Minute Ratings	% (tanθ)	18/20	18/20	17/21	29
5-Minute Ratings			% (tanθ)	18/20	18/20	17/21		
30-Minute Ratings			% (tanθ)	12/20	12/20	12/20		
32	Total Weight	Without Battery	kg	2970	2970	2970	32	
33	Weight Distribution (With STD capacity Lead-acid battery/Min. capacity Lithium-ion bat- tery)	Full Load	Front	kg	5640	5640	5810	33
			Rear	kg	710	710	820	
34		No Load	Front	kg	1580	1580	1750	34
			Rear	kg	2270	2270	2380	
35	Tires	Number	Front/Rear		2/2	2/2	35	
36		Size	Front		21X8-9-14PR	21X8-9-14PR	21X8-9-14PR	36
37			Rear		18X7-8-14PR	18X7-8-14PR	18X7-8-14PR	37
38	Wheelbase		mm	1500	1500	1500	38	
39	Tread	Front	mm	970	970	970	39	
		Rear	mm	940	940	940		
	Backrest Height		mm	1220	1220	1220		
	Overhead Guard Clearance		mm	1035	1035	1035		
	Counterweight Height		mm	1125	1125	1135		
	Drawbar Height		mm	280	280	280		
	Step Height/Floor Height		mm	435/620	435/620	435/700		
40	Underclearance	Mast (Full Load)	mm	65	65	65	40	
41		Center of Wheelbase (Full Load)	mm	85	85	85	41	
		Drive Axle (Full Load)	mm	65	65	65		
		Steer Axle (No Load)	mm	120	120	120		
		Counterweight (No Load)	mm	115	115	115		
		Minimum Under Clearance (Full Load)	mm	65(Mast)	65(Mast)	65(Mast)		
	Grade Clearance	Frame	% (tanθ)	25	25	25		
		Counterweight	% (tanθ)	49	49	49	49	
42	Brake	Service (Foot)		Hydraulic	Hydraulic	Hydraulic	42	
43		Parking		Hand	Hand	Hand	43	
	Control System	System Voltage	V	48	48	48		
45	Battery (Lead-acid battery)	Voltage/Capacity (5-hour rating)	STD	V/AH	48/565	-	48/730	45
46			Max.	V/AH	48/600	-	-	
		Weight (STD Capacity Type)	kg	880	-	1160	46	
45	Battery (Lithium-ion battery)	Voltage/Capacity (5-hour rating)	Min.	V/AH	-	51.52/604	-	45
46			Max.	V/AH	-	-	-	
		Weight (Min. Capacity Type)	kg	-	850	-	46	
47	Electric Motors	Drive	kW	10.7	10.7	10.7	47	
48		Load Handling	kW	12.2	12.2	12.2	48	
		Energy Consumption According to VDI Cycle **	kWh/h	4.5	4.5	4.6		
54	Control Type	Drive		Transistor inverter	Transistor inverter	Transistor inverter	54	
		Load Handling		Transistor inverter	Transistor inverter	Transistor inverter		
57	Operating Pressure	For Attachments	Mpa (psi)	14.7(2100)	14.7(2100)	14.7(2100)	57	
		Sound level at the driver's ear according to EN12053 Uncertainty 4dB(A)	dB(A)	67	67	67		
		Vibration in accordance with in EN13059	m/s2	1.5	1.5	1.5		

NOTE: \* Computed values.

\*\* 60 VDI Work Cycles/h with Tested Load of 2500 kg

## DIMENSIONAL DRAWINGS

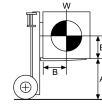
Unit: mm  
[ ] for 8FBH25



## UNDERCLEARANCE

Mast (Full Load)	65
Center of Wheelbase (Full Load)	85
Drive Axle (Full Load)	65
Steer Axle (No Load)	120
Counterweight (No Load)	115
Minimum Under Clearance (No Load)	65(Mast)

## RATED CAPACITIES



A: Max. Fork Height  
B: Load Center  
W: Capacity

### V, FV Mast (PN or PSC)

Unit: kg (W)

A (mm)	3000	3300	3500	3700	4000	4500	5000
Single Tire	500	2500	2500	2500	2500	2300	1800
	600	2250	2250	2250	2250	2070	1620
	700	2050	2050	2050	2050	1890	1480
	800	1890	1890	1890	1890	1730	1360
	900	1740	1740	1740	1740	1600	1250
	1000	1620	1620	1620	1620	1490	1170
	1100	1520	1520	1520	1520	1390	1090
	1200	1420	1420	1420	1420	1310	1020
	1300	1340	1340	1340	1340	1230	960
	Dual Tire	500	2500	2500	2500	2500	2450
600		2250	2250	2250	2250	2210	2120
700		2050	2050	2050	2050	2010	1930
800		1890	1890	1890	1890	1850	1770
900		1740	1740	1740	1740	1710	1640
1000		1620	1620	1620	1620	1590	1520
1100		1520	1520	1520	1520	1490	1420
1200		1420	1420	1420	1420	1390	1340
1300	1340	1340	1340	1340	1310	1260	

### FSV Mast (PN or PSC)

Unit: kg (W)

A (mm)	3700	4000	4300	4500	4700	5000	5500	6000
Single Tire	500	2400	2400	2300	2050	2050	1650	1000
	600	2170	2170	2080	1850	1850	1490	900
	700	1980	1980	1900	1690	1690	1360	820
	800	1820	1820	1750	1560	1560	1250	760
	900	1690	1690	1620	1440	1440	1160	880
	1000	1570	1570	1510	1340	1340	1080	820
	1100	1470	1470	1410	1260	1260	1010	760
	1200	1380	1380	1320	1180	1180	950	720
	1300	1300	1300	1250	1110	1110	890	680
	Dual Tire	500	2400	2400	2300	2300	2200	2000
600		2170	2170	2170	2080	2080	1990	1810
700		1980	1980	1980	1900	1900	1820	1650
800		1820	1820	1820	1750	1750	1670	1520
900		1690	1690	1690	1620	1620	1550	1410
1000		1570	1570	1570	1510	1510	1440	1310
1100		1470	1470	1470	1410	1410	1350	1230
1200		1380	1380	1380	1320	1320	1270	1150
1300	1300	1300	1300	1250	1250	1190	1090	

## MAST SPECIFICATIONS & RATED CAPACITIES

Mast Type	Maximum Fork Height	Overall Height			Free Lift		Tilt Range		Load Capacity at 500 mm LC	
		Lowered*	Extended		Without Load Backrest	With Standard Load Backrest	FWD	BWD	Single	Dual
			Without Load Backrest	With Standard Load Backrest						
Wide Visible Mast (V)	2500	1725	3165	3720	130	130	7	11	2500	2500
	2700	1825	3365	3920	130	130	7	11	2500	2500
	3000	1975	3665	4220	130	130	7	11	2500	2500
	3300	2125	3965	4520	130	130	7	11	2500	2500
	3500	2225	4165	4720	130	130	7	11	2500	2500
	3700	2385	4365	4920	130	130	7	11	2500	2500
	4000	2575	4665	5220	130	130	7	5<11>	2500	2500
	4500	2825	5165	5720	130	130	7	5	2300	2450
Wide Visible Full-Free Lift Two-Stage Mast (FV)	3000	1975	3600	4220	1375*	755*	7	11	2500	2500
	3300	2125	3900	4520	1525*	905*	7	11	2500	2500
	3500	2225	4100	4720	1625*	1005*	7	11	2500	2500
	3700	2385	4300	4920	1785*	1165*	7	11	2500	2500
Wide Visible Full-Free Lift Three-Stage Mast (FSV)	4000	2575	4600	5220	1975*	1355*	7	5<11>	2500	2500
	3700	1775	4340	4920	1135*	555*	7	5	2400	2400
	4000	1875	4640	5220	1235*	655*	7	5	2400	2400
	4300	1975	4940	5520	1335*	755*	7	5	2300	2400
	4500	2045	5140	5720	1405*	825*	7	5	2050	2300
	4700	2125	5340	5920	1485*	905*	7	5	2050	2300
	5000	2225	5640	6220	1585*	1005*	7	5	1650	2200
	5500	2385	6140	6720	1745*	1165*	7	5	1250	2000
6000	2575	6640	7220	1935*	1355*	7	5	1000	1550	

NOTE: Height of standard load backrest is 1220 mm.  
\* with optional tire sized 23x9-10-16PR, plus 20mm.  
<> for dual tires.

The data in this publication was determined based on our standard testing condition. Operating performance may vary depending on the actual specification and condition of the vehicle as well as the condition of the operating area.

# 2,500 kg

## MAIN VEHICLE SPECIFICATIONS

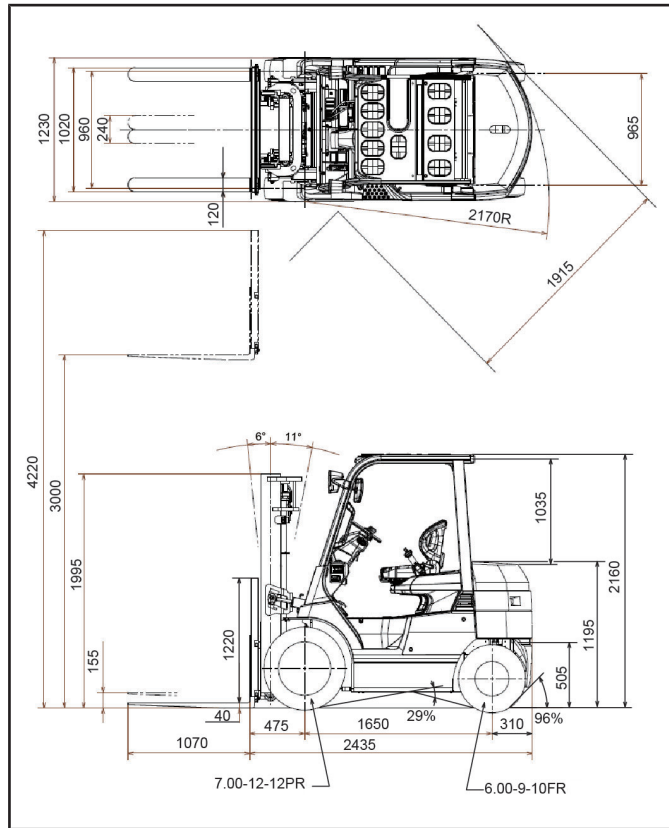
1	Manufacturer			TOYOTA	1	
2	Model			<b>40-8FB25</b>	2	
3	Load Capacity	kg		2500	3	
4	Load Center	mm		500	4	
5	Power Type			Battery	5	
6	Operator Position			Rider Seated	6	
7	Tire Type	Front/Rear		Pneumatic	7	
8	Wheels (x = driven)	Front/Rear		2x/2	8	
9	Maximum Fork Height (MFH)		mm	3000	9	
10	Free Lift		mm	155	10	
13	Fork Size	L x W x T	mm	1070/120/40	13	
	Fork Spread (Outside)	MAX./MIN.	mm	1020/240		
14	Tilt Range	FWD/BWD	deg	6/11	14	
15	Length to Fork Face		mm	2435	15	
16	Overall Width		mm	1230	16	
17	Mast Lowered Height		mm	1995	17	
18	Mast Extended Height		mm	4220	18	
19	Overhead Guard Height		mm	2160	19	
21	Turning Radius (Outside)		mm	2170	21	
22	Load Distance (Centerline of front axle to front face of forks)		mm	475	22	
	Rear Overhang		mm	310		
23	Basic Right Angle Stacking Aisle Width (Add load length and clearance)		mm	2640	23	
	Intersecting Aisle Width		mm	1915		
24	Speeds *	Travel, Max. (FWD/RVS)	Full Load	km/h	14.5/14.5	24
			No Load	km/h	15.5/15.5	
25		Lifting	Full Load	mm/sec	340	25
			No Load	mm/sec	600	
26	Lowering	Full Load	mm/sec	500	26	
		No Load	mm/sec	500		
27	Drawbar Pull *	Full Load/ No Load	3-Minute Ratings	N (kg)	12890/12010 (1310/1220)	27
			5-Minute Ratings	N (kg)	12890/12010 (1310/1220)	
			60-Minute Ratings	N (kg)	5200/5300 (530/540)	
29	Gradeability *	Full Load/ No Load	3-Minute Ratings	% (tanθ)	20/24	29
			5-Minute Ratings	% (tanθ)	20/24	
			30-Minute Ratings	% (tanθ)	13/20	
32	Total Weight	Without Battery	kg	3010	32	
33	Weight Distribution (With STD capacity Lead-acid battery)	Full Load	Front	kg	6040	33
			Rear	kg	790	
34		No Load	Front	kg	2060	34
			Rear	kg	2270	
35		Number	Front/Rear		2/2	35
36	Tires		Front		7.00-12-12PR	36
37		Size	Rear		6.00-9-10PR	37
38	Wheelbase		mm	1650	38	
39	Tread	Front	mm	960	39	
		Rear	mm	965		
	Backrest Height			1220		
	Overhead Guard Clearance			1035		
	Counterweight Height			1195		
	Drawbar Height			505		
	Step Height/Floor Height			490/755		
40	Underclearance	Mast (Full Load)	mm	75	40	
41		Center of Wheelbase (Full Load)	mm	110	41	
		Drive Axle (Full Load)	mm	115		
		Steer Axle (No Load)	mm	150		
		Counterweight (No Load)	mm	160		
		Minimum Under Clearance (Full Load)	mm	75(Mast)		
	Grade Clearance	Frame	% (tanθ)	29		
		Counterweight	% (tanθ)	96		
42	Brake	Service (Foot)		Hydraulic	42	
43		Parking		Hand	43	
	Control System	System Voltage	V	48		
45	Battery (Lead-acid battery)	Voltage/Capacity (5-hour rating)	STD	V/AH	48/845	45
46		Max.	V/AH	-		
47		Weight (STD Capacity Type)	kg	1320	46	
48	Electric Motors	Drive	kW	10.7	47	
		Load Handling	kW	12.2	48	
		Energy Consumption According to VDI Cycle **	kWh/h	4.6		
54	Control Type	Drive		Transistor inverter	54	
		Load Handling		Transistor inverter		
57	Operating Pressure	For Attachments	Mpa (psi)	14.7 (2100)	57	
	Sound level at the driver's ear according to EN12053 Uncertainty 4dB(A)		dB(A)	-		
	Vibration in accordance with in EN13059		m/s <sup>2</sup>	-		

NOTE: \* Computed values.

\*\* 60 VDI circles/h with Tested Load of 2500 kg.

## DIMENSIONAL DRAWINGS

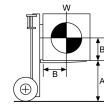
Unit: mm



## UNDERCLEARANCE

Mast (Full Load)	75
Center of Wheelbase (Full Load)	110
Drive Axle (Full Load)	115
Steer Axle (No Load)	150
Counterweight (No Load)	160
Minimum Under Clearance (No Load)	75(Mast)

## RATED CAPACITIES



A: Max. Fork Height  
B: Load Center  
W: Capacity

### V, FV Mast (PN or PSC)

Unit: kg (W)

A (mm)	3000	3300	3500	3700	4000	4500	5000
Single Tire	500	2500	2500	2500	2500	2300	1800
	600	2260	2260	2260	2260	2080	1630
	700	2070	2070	2070	2070	2070	1900
	800	1910	1910	1910	1910	1910	1750
	900	1770	1770	1770	1770	1770	1620
	1000	1650	1650	1650	1650	1650	1510
	1100	1540	1540	1540	1540	1540	1420
	1200	1450	1450	1450	1450	1450	1330
	1300	1370	1370	1370	1370	1370	1260
	1400	1300	1300	1300	1300	1300	1040
Dual Tire	500	2500	2500	2500	2500	2450	2350
	600	2260	2260	2260	2260	2220	2130
	700	2070	2070	2070	2070	2070	2030
	800	1910	1910	1910	1910	1910	1870
	900	1770	1770	1770	1770	1770	1730
	1000	1650	1650	1650	1650	1650	1610
	1100	1540	1540	1540	1540	1540	1510
	1200	1450	1450	1450	1450	1450	1420
1300	1370	1370	1370	1370	1370	1340	
1400	1300	1300	1300	1300	1300	1280	

### FSV Mast (PN or PSC)

Unit: kg (W)

A (mm)	3700	4000	4300	4500	4700	5000	5500	6000
Single Tire	500	2400	2400	2300	2050	2050	1650	1000
	600	2170	2170	2080	1860	1860	1490	900
	700	1990	1990	1910	1700	1700	1370	830
	800	1840	1840	1760	1570	1570	1260	760
	900	1700	1700	1630	1460	1460	1170	710
	1000	1590	1590	1520	1360	1360	1090	660
	1100	1490	1490	1430	1270	1270	1020	730
	1200	1400	1400	1340	1200	1200	960	730
	1300	1320	1320	1270	1130	1130	910	690
	1400	1250	1250	1200	1060	1060	860	660
Dual Tire	500	2400	2400	2400	2300	2300	2200	1550
	600	2170	2170	2170	2080	2080	1990	1400
	700	1990	1990	1990	1910	1910	1830	1280
	800	1840	1840	1840	1760	1760	1680	1180
	900	1700	1700	1700	1630	1630	1560	1100
	1000	1590	1590	1590	1520	1520	1460	1320
	1100	1490	1490	1490	1430	1430	1360	1240
	1200	1400	1400	1400	1340	1340	1280	1170
	1300	1320	1320	1320	1270	1270	1210	1100
	1400	1250	1250	1250	1200	1200	1140	850

## MAST SPECIFICATIONS & RATED CAPACITIES

Mast Type	Maximum Fork Height	Overall Height			Free Lift		Tilt Range		Load Capacity at 500 mm LC	
		Lowered	Extended		Without Load Backrest	With Standard Load Backrest	FWD	BWD	Single	Dual
			Without Load Backrest	With Standard Load Backrest						
Wide Visible Mast (V)	2500	1745	3150	3720	155	155	6	11	2500	2500
	2700	1845	3350	3920	155	155	6	11	2500	2500
	3000	1995	3650	4220	155	155	6	11	2500	2500
	3300	2145	3950	4520	155	155	6	11	2500	2500
	3500	2245	4150	4720	155	155	6	11	2500	2500
	3700	2405	4350	4920	155	155	6	11	2500	2500
	4000	2595	4650	5220	155	155	6	6<11>	2500	2500
	4500	2845	5150	5720	155	155	6	6	2300	2450
Wide Visible Full-Free Lift Two-Stage Mast (FV)	3000	1995	3595	4220	1400	775	6	11	2500	2500
	3300	2145	3895	4520	1550	925	6	11	2500	2500
	3500	2245	4095	4720	1650	1025	6	11	2500	2500
	3700	2405	4295	4920	1810	1185	6	11	2500	2500
Wide Visible Full-Free Lift Three-Stage Mast (FSV)	4000	2595	4595	5220	2000	1375	6	6<11>	2500	2500
	3700	1795	4265	4920	1230	575	6	6	2400	2400
	4000	1895	4565	5220	1330	675	6	6	2400	2400
	4300	1995	4865	5520	1430	775	6	6	2300	2400
	4500	2065	5065	5720	1500	845	6	6	2050	2300
	4700	2145	5265	5920	1580	925	6	6	2050	2300
	5000	2245	5565	6220	1680	1025	6	6	1650	2200
	5500	2405	6065	6720	1840	1185	6	6	1250	2000
6000	2595	6565	7220	2030	1375	6	6	1000	1550	

NOTE: Height of standard load backrest is 1220 mm.  
<> for dual tires.

# 3,000 kg

## MAIN VEHICLE SPECIFICATIONS

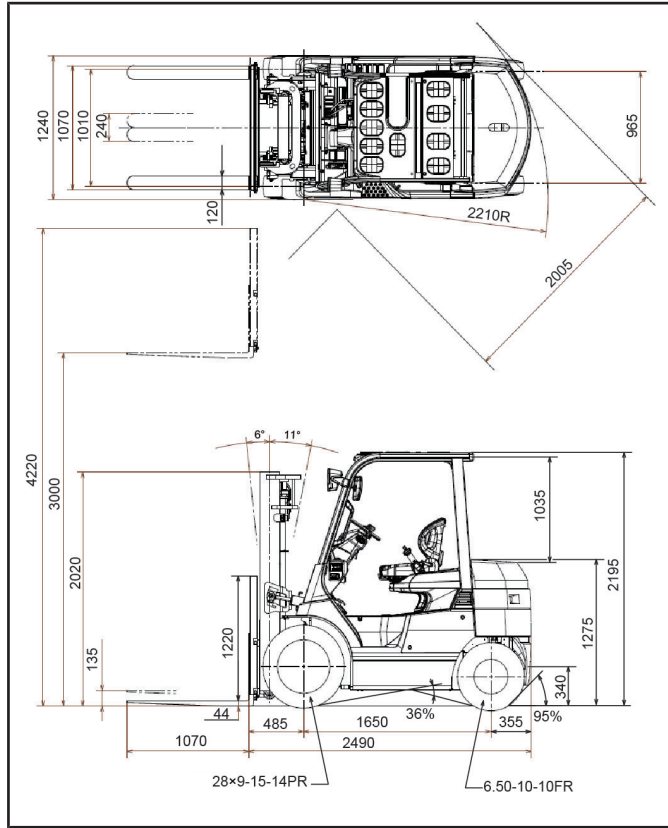
1	Manufacturer			TOYOTA	1	
2	Model			<b>8FB30</b>	2	
3	Load Capacity	kg		3000	3	
4	Load Center	mm		500	4	
5	Power Type			Battery	5	
6	Operator Position			Rider Seated	6	
7	Tire Type	Front/Rear		Pneumatic	7	
8	Wheels (x = driven)	Front/Rear		2x/2	8	
9	Maximum Fork Height (MFH)		mm	3000	9	
10	Free Lift		mm	135	10	
13	Fork Size	L x W x T	mm	1070/120/44	13	
	Fork Spread (Outside)	MAX./MIN.	mm	1070/240		
14	Tilt Range	FWD/BWD	deg	6/11	14	
15	Length to Fork Face		mm	2490	15	
16	Overall Width		mm	1240	16	
17	Mast Lowered Height		mm	2020	17	
18	Mast Extended Height		mm	4220	18	
19	Overhead Guard Height		mm	2195	19	
21	Turning Radius (Outside)		mm	2210	21	
22	Load Distance (Centerline of front axle to front face of forks)		mm	485	22	
	Rear Overhang		mm	355		
23	Basic Right Angle Stacking Aisle Width (Add load length and clearance)		mm	2695	23	
	Intersecting Aisle Width		mm	2005		
24	Speeds *	Travel, Max. (FWD/RVS)	Full Load	km/h	14.0/14.0	24
No Load			km/h	15.0/15.0		
Lifting		Full Load	mm/sec	320	25	
		No Load	mm/sec	550		
26	Lowering	Full Load	mm/sec	500	26	
No Load		mm/sec	500			
27	Drawbar Pull *	Full Load/ No Load	3-Minute Ratings	N (kg)	13060/12630 (1330/1280)	27
5-Minute Ratings			N (kg)	13060/12630 (1330/1280)		
60-Minute Ratings			N (kg)	5300/5590 (540/570)		
29	Gradeability *	Full Load/ No Load	3-Minute Ratings	% (tanθ)	17/22	29
5-Minute Ratings			% (tanθ)	17/22		
30-Minute Ratings			% (tanθ)	11/19		
32	Total Weight	Without Battery	kg	3690	32	
33	Weight Distribution (With STD capacity Lead-acid battery)	Full Load	Front	kg	6880	33
			Rear	kg	830	
34		No Load	Front	kg	2090	34
			Rear	kg	2620	
35		Number	Front/Rear		2/2	35
36	Tires	Size	Front		28X9-15-14PR	36
37			Rear		6.50-10-10PR	37
38	Wheelbase		mm	1650	38	
39	Tread		Front	mm	1010	39
			Rear	mm	965	
	Backrest Height			1220		
	Overhead Guard Clearance			1035		
	Counterweight Height			1275		
	Drawbar Height			340		
	Step Height/Floor Height			515/785		
40	Underclearance		Mast (Full Load)	mm	115	40
41			Center of Wheelbase (Full Load)	mm	140	41
			Drive Axle (Full Load)	mm	155	
			Steer Axle (No Load)	mm	180	
			Counterweight (No Load)	mm	185	
			Minimum Under Clearance (Full Load)	mm	115(Mast)	
	Grade Clearance		Frame	% (tanθ)	36	
			Counterweight	% (tanθ)	95	
42	Brake		Service (Foot)		Hydraulic	42
43			Parking		Hand	43
	Control System		System Voltage	V	48	
45	Battery (Lead-acid battery)	Voltage/Capacity (5-hour rating)	STD	V/AH	80/370	45
46			Max.	V/AH	80/470	
47		Weight (STD Capacity Type)	kg	1020	46	
48	Electric Motors		Drive	kW	11.9	47
			Load Handling	kW	14.4	48
			Energy Consumption According to VDI Cycle **	kWh/h	5.0	-
54	Control Type		Drive		Transistor inverter	54
			Load Handling		Transistor inverter	
57	Operating Pressure	For Attachments	Mpa (psi)	15.7 (2300)	57	
	Sound level at the driver's ear according to EN12053 Uncertainty 4dB(A)		dB (A)	69		
	Vibration in accordance with in EN13059		m/s2	1.5		

NOTE: \* Computed values.

\*\* 60 VDI circles/h with Tested Load of 3000 kg.

## DIMENSIONAL DRAWINGS

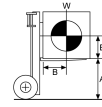
Unit: mm



### UNDERCLEARANCE

Mast (Full Load)	115
Center of Wheelbase (Full Load)	140
Drive Axle (Full Load)	155
Steer Axle (No Load)	180
Counterweight (No Load)	185
Minimum Under Clearance (No Load)	115(Mast)

## RATED CAPACITIES



A: Max. Fork Height  
B: Load Center  
W: Capacity

### V, FV Mast (PN or PSC)

Unit: kg (W)

A (mm)	3000	3300	3500	3700	4000	4500	5000
Single Tire	500	3000	3000	3000	3000	3000	2350
	600	2720	2720	2720	2720	2720	2130
	700	2490	2490	2490	2490	2490	1950
	800	2290	2290	2290	2290	2290	1800
	900	2130	2130	2130	2130	2130	1670
	1000	1980	1980	1980	1980	1980	1550
	1100	1860	1860	1860	1860	1860	1450
	1200	1750	1750	1750	1750	1750	1370
	1300	1650	1650	1650	1650	1650	1290
	Dual Tire	500	3000	3000	3000	3000	3000
600		2720	2720	2720	2720	2720	2720
700		2490	2490	2490	2490	2490	2490
800		2290	2290	2290	2290	2290	2290
900		2130	2130	2130	2130	2130	2130
1000		1980	1980	1980	1980	1980	1980
1100		1860	1860	1860	1860	1860	1860
1200		1750	1750	1750	1750	1750	1750
1300		1650	1650	1650	1650	1650	1650

### FSV Mast (PN or PSC)

Unit: kg (W)

A (mm)	3700	4000	4300	4500	4700	5000	5500	6000
Single Tire	500	3000	3000	3000	2800	2800	2400	1450
	600	2720	2720	2720	2540	2540	2180	1310
	700	2490	2490	2490	2330	2330	1990	1200
	800	2300	2300	2300	2150	2150	1840	1110
	900	2130	2130	2130	1990	1990	1710	1030
	1000	1990	1990	1990	1860	1860	1590	960
	1100	1870	1870	1870	1740	1740	1490	900
	1200	1760	1760	1760	1640	1640	1400	850
	1300	1660	1660	1660	1550	1550	1320	800
	Dual Tire	500	3000	3000	3000	3000	3000	2900
600		2720	2720	2720	2720	2720	2630	1860
700		2490	2490	2490	2490	2490	2410	1700
800		2300	2300	2300	2300	2300	2220	1570
900		2130	2130	2130	2130	2130	2060	1460
1000		1990	1990	1990	1990	1990	1920	1360
1100		1870	1870	1870	1870	1870	1800	1270
1200		1760	1760	1760	1760	1760	1700	1200
1300		1660	1660	1660	1660	1660	1600	1130

## MAST SPECIFICATIONS & RATED CAPACITIES

Mast Type	Maximum Fork Height	Overall Height			Free Lift		Tilt Range		Load Capacity at 500 mm LC	
		Lowered	Extended		Without Load Backrest	With Standard Load Backrest	FWD	BWD	Single	Dual
			Without Load Backrest	With Standard Load Backrest						
Wide Visible Mast (V)	2500	1770	3220	3720	135	135	6	11	3000	3000
	2700	1870	3420	3920	135	135	6	11	3000	3000
	3000	2020	3720	4220	135	135	6	11	3000	3000
	3300	2170	4020	4520	135	135	6	11	3000	3000
	3500	2270	4220	4720	135	135	6	11	3000	3000
	3700	2430	4420	4920	135	135	6	11	3000	3000
	4000	2620	4720	5220	135	135	6	11	3000	3000
	4500	2870	5220	5720	135	135	6	5	2850	3000
Wide Visible Full-Free Lift Two-Stage Mast (FV)	3000	2020	3615	4220	1405	800	6	11	3000	3000
	3300	2170	3915	4520	1555	950	6	11	3000	3000
	3500	2270	4115	4720	1655	1050	6	11	3000	3000
	3700	2430	4315	4920	1815	1210	6	11	3000	3000
Wide Visible Full-Free Lift Three-Stage Mast (FSV)	4000	2620	4615	5220	2005	1400	6	11	3000	3000
	3700	1920	4315	4920	1305	700	6	5	3000	3000
	4000	2020	4615	5220	1405	800	6	5	3000	3000
	4300	2170	4915	5520	1555	950	6	5	3000	3000
	4500	2220	5115	5720	1605	1000	6	5	2800	3000
	4700	2270	5315	5920	1655	1050	6	5	2800	3000
	5000	2430	5615	6220	1815	1210	6	5	2400	2900
	5500	2620	6115	6720	2005	1400	6	5	1900	2650
6000	2870	6615	7220	2255	1650	6	5	1450	2050	

NOTE: Height of standard load backrest is 1220 mm.

# 3,000 kg

## MAIN VEHICLE SPECIFICATIONS

1	Manufacturer			TOYOTA	1	
2	Model			<b>8FBH30</b>	2	
3	Load Capacity	kg		3000	3	
4	Load Center	mm		500	4	
5	Power Type			Battery	5	
6	Operator Position			Rider Seated	6	
7	Tire Type	Front/Rear		Pneumatic	7	
8	Wheels (x = driven)	Front/Rear		2x/2	8	
9	Maximum Fork Height (MFH)		mm	3000	9	
10	Free Lift		mm	135	10	
13	Fork Size	L x W x T	mm	1070/120/44	13	
	Fork Spread (Outside)	MAX./MIN.	mm	1070/240		
14	Tilt Range	FWD/BWD	deg	6/11	14	
15	Length to Fork Face		mm	2635	15	
16	Overall Width		mm	1240	16	
17	Mast Lowered Height		mm	2020	17	
18	Mast Extended Height		mm	4220	18	
19	Overhead Guard Height [ ]:Height with Resin Roof		mm	2195 [2245]	19	
21	Turning Radius (Outside)		mm	2355	21	
22	Load Distance (Centerline of front axle to front face of forks)		mm	485	22	
	Rear Overhang		mm	355		
23	Basic Right Angle Stacking Aisle Width (Add load length and clearance)		mm	2840	23	
	Intersecting Aisle Width		mm	2070		
24	Speeds *	Travel, Max. (FWD/RVS)	Full Load	km/h	14.0/14.0	24
			No Load	km/h	15.0/15.0	
25		Lifting	Full Load	mm/sec	320	25
			No Load	mm/sec	550	
26	Lowering	Full Load	mm/sec	500	26	
		No Load	mm/sec	500		
27	Drawbar Pull *	Full Load/ No Load	3-Minute Ratings	N (kg)	12530/12610 (1270/1280)	27
			5-Minute Ratings	N (kg)	12530/12610 (1270/1280)	
			60-Minute Ratings	N (kg)	5040/5300 (510/540)	
29	Gradeability *	Full Load/ No Load	3-Minute Ratings	% (tanθ)	16/25	29
			5-Minute Ratings	% (tanθ)	16/25	
			30-Minute Ratings	% (tanθ)	10/18	
32	Total Weight	Without Battery	kg	3365	32	
33	Weight Distribution (With STD capacity Lead-acid battery)	Full Load	Front	kg	7030	33
			Rear	kg	800	
34		No Load	Front	kg	2390	34
			Rear	kg	2440	
35		Number	Front/Rear		2/2	35
36	Tires	Size	Front		28X9-15-14PR	36
37			Rear		6.50-10-10PR	37
38	Wheelbase		mm	1805	38	
39	Tread		Front	mm	1010	39
			Rear	mm	965	
	Backrest Height			1220		
	Overhead Guard Clearance			1035		
	Counterweight Height			1275		
	Drawbar Height			340		
	Step Height/Floor Height			515/785		
40	Underclearance		Mast (Full Load)	mm	115	40
41			Center of Wheelbase (Full Load)	mm	140	41
			Drive Axle (Full Load)	mm	155	
			Steer Axle (No Load)	mm	180	
			Counterweight (No Load)	mm	185	
			Minimum Under Clearance (Full Load)	mm	115(Mast)	
	Grade Clearance		Frame	% (tanθ)	36	
			Counterweight	% (tanθ)	95	
42	Brake		Service (Foot)		Hydraulic	42
43			Parking		Hand	43
	Control System		System Voltage	V	48	
45	Battery (Lead-acid battery)	Voltage/Capacity (5-hour rating)	STD	V/AH	80/565	45
46			Max.	V/AH	-	
47		Weight (STD Capacity Type)	kg	1465	46	
48	Electric Motors		Drive	kW	11.9	47
			Load Handling	kW	14.4	48
			Energy Consumption According to VDI Cycle **	kWh/h	5.1	-
54	Control Type		Drive		Transistor inverter	54
			Load Handling		Transistor inverter	
57	Operating Pressure	For Attachments	Mpa (psi)	15.7 (2300)	57	
	Sound level at the driver's ear according to EN12053 Uncertainty 4dB(A)		dB (A)	69		
	Vibration in accordance with in EN13059		m/s <sup>2</sup>	1.5		

NOTE: \* Computed values.

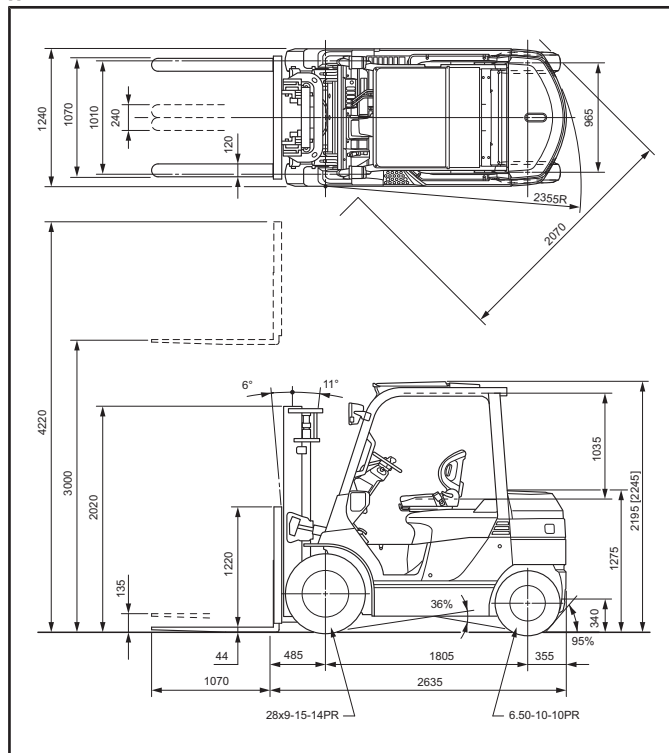
\*\* 60 VDI circles/h with Tested Load of 3000 kg.

[ ] with Resin Roof

## DIMENSIONAL DRAWINGS

Unit: mm

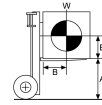
[ ] with Resin Roof



## UNDERCLEARANCE

Mast (Full Load)	115
Center of Wheelbase (Full Load)	140
Drive Axle (Full Load)	155
Steer Axle (No Load)	180
Counterweight (No Load)	185
Minimum Under Clearance (No Load)	115(Mast)

## RATED CAPACITIES



A: Max. Fork Height  
B: Load Center  
W: Capacity

### V, FV Mast (PN or PSC)

Unit: kg (W)

A (mm)	3000	3300	3500	3700	4000	4500	5000
Single Tire	500	3000	3000	3000	3000	3000	2350
	600	2720	2720	2720	2720	2720	2130
	700	2490	2490	2490	2490	2490	1950
	800	2290	2290	2290	2290	2290	1800
	900	2130	2130	2130	2130	2130	1670
	1000	1980	1980	1980	1980	1980	1550
	1100	1860	1860	1860	1860	1860	1450
	1200	1750	1750	1750	1750	1750	1370
	1300	1650	1650	1650	1650	1650	1290
	Dual Tire	500	3000	3000	3000	3000	3000
600		2720	2720	2720	2720	2720	2720
700		2490	2490	2490	2490	2490	2490
800		2290	2290	2290	2290	2290	2290
900		2130	2130	2130	2130	2130	2130
1000		1980	1980	1980	1980	1980	1980
1100		1860	1860	1860	1860	1860	1860
1200		1750	1750	1750	1750	1750	1750
1300		1650	1650	1650	1650	1650	1650

### FSV Mast (PN or PSC)

Unit: kg (W)

A (mm)	3700	4000	4300	4500	4700	5000	5500	6000
Single Tire	500	3000	3000	3000	2800	2800	2400	1450
	600	2720	2720	2720	2540	2540	2180	1310
	700	2490	2490	2490	2330	2330	1990	1200
	800	2300	2300	2300	2150	2150	1840	1110
	900	2130	2130	2130	1990	1990	1710	1030
	1000	1990	1990	1990	1860	1860	1590	960
	1100	1870	1870	1870	1740	1740	1490	900
	1200	1760	1760	1760	1640	1640	1400	850
	1300	1660	1660	1660	1550	1550	1320	800
	Dual Tire	500	3000	3000	3000	3000	3000	2900
600		2720	2720	2720	2720	2720	2630	1860
700		2490	2490	2490	2490	2490	2410	1700
800		2300	2300	2300	2300	2300	2220	1570
900		2130	2130	2130	2130	2130	2060	1460
1000		1990	1990	1990	1990	1990	1920	1360
1100		1870	1870	1870	1870	1870	1800	1270
1200		1760	1760	1760	1760	1760	1700	1200
1300		1660	1660	1660	1660	1660	1600	1130

## MAST SPECIFICATIONS & RATED CAPACITIES

Mast Type	Maximum Fork Height	Overall Height			Free Lift		Tilt Range		Load Capacity at 500 mm LC	
		Lowered	Extended		Without Load Backrest	With Standard Load Backrest	FWD	BWD	Single	Dual
			Without Load Backrest	With Standard Load Backrest						
Wide Visible Mast (V)	2500	1770	3220	3720	135	135	6	11	3000	3000
	2700	1870	3420	3920	135	135	6	11	3000	3000
	3000	2020	3720	4220	135	135	6	11	3000	3000
	3300	2170	4020	4520	135	135	6	11	3000	3000
	3500	2270	4220	4720	135	135	6	11	3000	3000
	3700	2430	4420	4920	135	135	6	11	3000	3000
	4000	2620	4720	5220	135	135	6	11	3000	3000
	4500	2870	5220	5720	135	135	6	5	2850	3000
Wide Visible Full-Free Lift Two-Stage Mast (FV)	3000	2020	3615	4220	1405	800	6	11	3000	3000
	3300	2170	3915	4520	1555	950	6	11	3000	3000
	3500	2270	4115	4720	1655	1050	6	11	3000	3000
	3700	2430	4315	4920	1815	1210	6	11	3000	3000
Wide Visible Full-Free Lift Three-Stage Mast (FSV)	4000	2620	4615	5220	2005	1400	6	11	3000	3000
	3700	1920	4315	4920	1305	700	6	5	3000	3000
	4000	2020	4615	5220	1405	800	6	5	3000	3000
	4300	2170	4915	5520	1555	950	6	5	3000	3000
	4500	2220	5115	5720	1605	1000	6	5	2800	3000
	4700	2270	5315	5920	1655	1050	6	5	2800	3000
	5000	2430	5615	6220	1815	1210	6	5	2400	2900
	5500	2620	6115	6720	2005	1400	6	5	1900	2650
6000	2870	6615	7220	2255	1650	6	5	1450	2050	

NOTE: Height of standard load backrest is 1220 mm.

# 3,500 kg

## MAIN VEHICLE SPECIFICATIONS

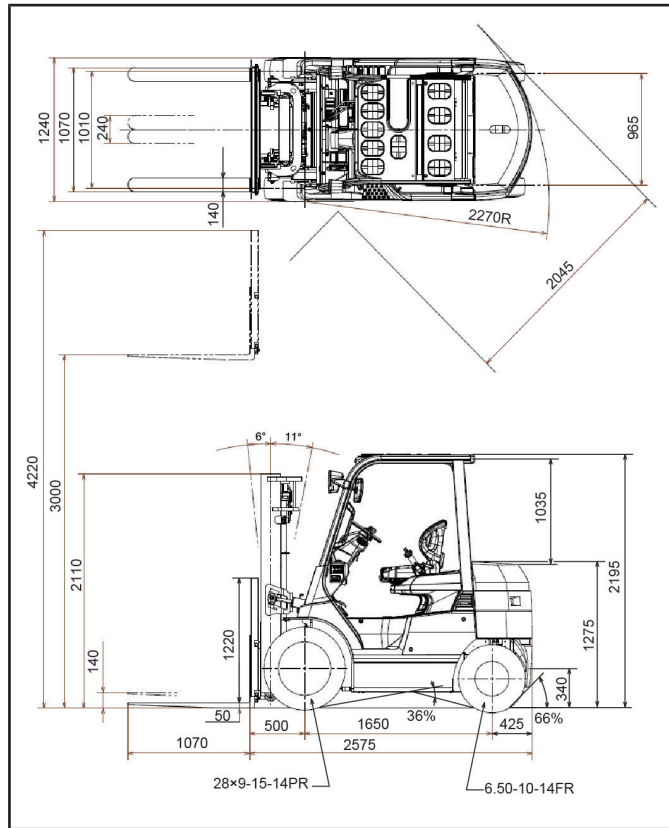
1	Manufacturer			TOYOTA	1	
2	Model			<b>8FBJ35</b>	2	
3	Load Capacity	kg		3500	3	
4	Load Center	mm		500	4	
5	Power Type			Battery	5	
6	Operator Position			Rider Seated	6	
7	Tire Type	Front/Rear		Pneumatic	7	
8	Wheels (x = driven)	Front/Rear		2x/2	8	
9	Maximum Fork Height (MFH)		mm	3000	9	
10	Free Lift		mm	140	10	
13	Fork Size	L x W x T	mm	1070/140/50	13	
	Fork Spread (Outside)	MAX./MIN.	mm	1070/240		
14	Tilt Range	FWD/BWD	deg	6/11	14	
15	Length to Fork Face		mm	2575	15	
16	Overall Width		mm	1240	16	
17	Mast Lowered Height		mm	2110	17	
18	Mast Extended Height		mm	4220	18	
19	Overhead Guard Height		mm	2195	19	
21	Turning Radius (Outside)		mm	2270	21	
22	Load Distance (Centerline of front axle to front face of forks)		mm	500	22	
	Rear Overhang		mm	425		
23	Basic Right Angle Stacking Aisle Width (Add load length and clearance)		mm	2770	23	
	Intersecting Aisle Width		mm	2045		
24	Speeds *	Travel, Max. (FWD/RVS)	Full Load	km/h	13.0/13.0	24
No Load			km/h	15.0/15.0		
Lifting		Full Load	mm/sec	270	25	
		No Load	mm/sec	460		
26	Lowering	Full Load	mm/sec	500	26	
No Load		mm/sec	450			
27	Drawbar Pull *	Full Load/ No Load	3-Minute Ratings	N (kg)	12900/12550 (1310/1280)	27
5-Minute Ratings			N (kg)	12900/12550 (1310/1280)		
60-Minute Ratings			N (kg)	5100/5490 (520/560)		
29	Gradeability *	Full Load/ No Load	3-Minute Ratings	% (tanθ)	14/20	29
5-Minute Ratings			% (tanθ)	14/20		
30-Minute Ratings			% (tanθ)	9/17		
			% (tanθ)			
32	Total Weight	Without Battery	kg	4290	32	
33	Weight Distribution (With STD capacity Lead-acid battery)	Full Load	Front	kg	7840	33
Rear			kg	970		
34		No Load	Front	kg	2220	34
Rear			kg	3090		
35		Number	Front/Rear		2/2	35
36	Tires	Size	Front		28X9-15-14PR	36
Rear				6.50-10-14PR	37	
38	Wheelbase		mm	1650	38	
39	Tread		Front	mm	1010	39
Rear			mm	965		
	Backrest Height			1220		
	Overhead Guard Clearance			1035		
	Counterweight Height			1275		
	Drawbar Height			340		
	Step Height/Floor Height			515/785		
40	Underclearance		Mast (Full Load)	mm	115	40
41			Center of Wheelbase (Full Load)	mm	140	41
			Drive Axle (Full Load)	mm	155	
			Steer Axle (No Load)	mm	180	
			Counterweight (No Load)	mm	185	
			Minimum Under Clearance (Full Load)	mm	115(Mast)	
	Grade Clearance		Frame	% (tanθ)	36	
			Counterweight	% (tanθ)	66	
42	Brake		Service (Foot)		Hydraulic	42
43			Parking		Hand	43
	Control System		System Voltage	V	48	
45	Battery (Lead-acid battery)	Voltage/Capacity (5-hour rating)	STD	V/AH	80/370	45
46			Max.	V/AH	80/470	
47		Weight (STD Capacity Type)	kg	1020	46	
48	Electric Motors		Drive	kW	11.9	47
			Load Handling	kW	14.4	48
			Energy Consumption According to VDI Cycle **	kWh/h	5.5	
54	Control Type		Drive		Transistor inverter	54
			Load Handling		Transistor inverter	
57	Operating Pressure	For Attachments	Mpa (psi)	15.7(2300)	57	
	Sound level at the driver's ear according to EN12053 Uncertainty 4dB(A)		dB (A)	69		
	Vibration in accordance with in EN13059		m/s <sup>2</sup>	1.5		

NOTE: \* Computed values.

\*\* 60 VDI circles/h with Tested Load of 3500 kg.

## DIMENSIONAL DRAWINGS

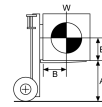
Unit: mm



### UNDERCLEARANCE

Mast (Full Load)	115
Center of Wheelbase (Full Load)	140
Drive Axle (Full Load)	155
Steer Axle (No Load)	180
Counterweight (No Load)	185
Minimum Under Clearance (No Load)	115(Mast)

## RATED CAPACITIES



A: Max. Fork Height  
B: Load Center  
W: Capacity

### V, FV Mast (PN or PSC)

Unit: kg (W)

A (mm)	3000	3300	3500	3700	4000	4500	5000
Single Tire	500	3500	3500	3500	3500	3500	2750
	600	3180	3180	3180	3180	3180	2490
	700	2910	2910	2910	2910	2910	2290
	800	2690	2690	2690	2690	2690	2110
	900	2490	2490	2490	2490	2490	1960
	1000	2330	2330	2330	2330	2330	1830
	1100	2180	2180	2180	2180	2180	1710
	1200	2050	2050	2050	2050	2050	1610
	1300	1940	1940	1940	1940	1940	1520
	Dual Tire	500	3500	3500	3500	3500	3500
600		3180	3180	3180	3180	3180	3090
700		2910	2910	2910	2910	2910	2830
800		2690	2690	2690	2690	2690	2610
900		2490	2490	2490	2490	2490	2420
1000		2330	2330	2330	2330	2330	2260
1100		2180	2180	2180	2180	2180	2120
1200		2050	2050	2050	2050	2050	1990
1300		1940	1940	1940	1940	1940	1880

### FSV Mast (PN or PSC)

Unit: kg (W)

A (mm)	3700	4000	4300	4500	4700	5000	5500	6000
Single Tire	500	3500	3500	3500	2900	2900	2500	1500
	600	3180	3180	3180	2630	2630	2270	1360
	700	2920	2920	2920	2420	2420	2080	1250
	800	2690	2690	2690	2230	2230	1920	1150
	900	2500	2500	2500	2070	2070	1790	1070
	1000	2340	2340	2340	1930	1930	1670	1000
	1100	2190	2190	2190	1810	1810	1560	940
	1200	2060	2060	2060	1710	1710	1470	880
	1300	1950	1950	1950	1610	1610	1390	830
	Dual Tire	500	3500	3500	3500	3400	3400	3300
600		3180	3180	3180	3090	3090	3000	2000
700		2920	2920	2920	2830	2830	2750	1830
800		2690	2690	2690	2620	2620	2540	1690
900		2500	2500	2500	2430	2430	2360	1570
1000		2340	2340	2340	2270	2270	2200	1470
1100		2190	2190	2190	2130	2130	2060	1370
1200		2060	2060	2060	2000	2000	1940	1290
1300		1950	1950	1950	1890	1890	1840	1220

## MAST SPECIFICATIONS & RATED CAPACITIES

Mast Type	Maximum Fork Height	Overall Height			Free Lift		Tilt Range		Load Capacity at 500 mm LC	
		Lowered	Extended		Without Load Backrest	With Standard Load Backrest	FWD	BWD	Single	Dual
			Without Load Backrest	With Standard Load Backrest						
Wide Visible Mast (V)	2500	1890	3360	3720	140	140	6	11	3500	3500
	2700	1990	3560	3920	140	140	6	11	3500	3500
	3000	2110	3860	4220	140	140	6	11	3500	3500
	3300	2290	4160	4520	140	140	6	11	3500	3500
	3500	2390	4360	4720	140	140	6	11	3500	3500
	3700	2490	4560	4920	140	140	6	11	3500	3500
	4000	2740	4860	5220	140	140	6	11	3500	3500
	4500	2990	5360	5720	140	140	6	5	3350	3500
Wide Visible Full-Free Lift Two-Stage Mast (FV)	3000	2110	3725	4220	1385	890	6	11	3500	3500
	3300	2290	4025	4520	1565	1070	6	11	3500	3500
	3500	2390	4225	4720	1665	1170	6	11	3500	3500
	3700	2490	4425	4920	1765	1270	6	11	3500	3500
Wide Visible Full-Free Lift Three-Stage Mast (FSV)	4000	2740	4725	5220	2015	1520	6	11	3500	3500
	3700	2020	4425	4920	1295	800	6	5	3500	3500
	4000	2170	4725	5220	1445	950	6	5	3500	3500
	4300	2225	5025	5520	1495	1005	6	5	3500	3500
	4500	2270	5225	5720	1545	1050	6	5	2900	3400
	4700	2430	5425	5920	1705	1210	6	5	2900	3400
	5000	2620	5725	6220	1895	1400	6	5	2500	3300
	5500	2870	6225	6720	2145	1650	6	5	1950	2900
6000	3120	6725	7220	2395	1900	6	5	1500	2200	

NOTE: Height of standard load backrest is 1220 mm.

# 3,500 kg

## MAIN VEHICLE SPECIFICATIONS

1	Manufacturer			TOYOTA	1	
2	Model			<b>8FBHJ35</b>	2	
3	Load Capacity	kg		3500	3	
4	Load Center	mm		500	4	
5	Power Type			Battery	5	
6	Operator Position			Rider Seated	6	
7	Tire Type	Front/Rear		Pneumatic	7	
8	Wheels (x = driven)	Front/Rear		2x/2	8	
9	Maximum Fork Height (MFH)		mm	3000	9	
10	Free Lift		mm	140	10	
13	Fork Size	L x W x T	mm	1070/140/50	13	
	Fork Spread (Outside)	MAX./MIN.	mm	1070/240		
14	Tilt Range	FWD/BWD	deg	6/11	14	
15	Length to Fork Face		mm	2660	15	
16	Overall Width		mm	1240	16	
17	Mast Lowered Height		mm	2110	17	
18	Mast Extended Height		mm	4220	18	
19	Overhead Guard Height [ ]:Height with Resin Roof		mm	2195 [2245]	19	
21	Turning Radius (Outside)		mm	2365	21	
22	Load Distance (Centerline of front axle to front face of forks)		mm	500	22	
	Rear Overhang		mm	425		
23	Basic Right Angle Stacking Aisle Width (Add load length and clearance)		mm	2865	23	
	Intersecting Aisle Width		mm	2080		
24	Speeds *	Travel, Max. (FWD/RVS)	Full Load	km/h	13.0/13.0	24
			No Load	km/h	15.0/15.0	
25		Lifting	Full Load	mm/sec	270	25
			No Load	mm/sec	460	
26	Lowering	Full Load	mm/sec	500	26	
		No Load	mm/sec	450		
27	Drawbar Pull *	Full Load/ No Load	3-Minute Ratings	N (kg)	12380/12530 (1260/1270)	27
			5-Minute Ratings	N (kg)	12380/12530 (1260/1270)	
			60-Minute Ratings	N (kg)	4890/5210 (490/530)	
29	Gradeability *	Full Load/ No Load	3-Minute Ratings	% (tanθ)	14/24	29
			5-Minute Ratings	% (tanθ)	14/24	
			30-Minute Ratings	% (tanθ)	8/17	
32	Total Weight	Without Battery	kg	3945	32	
33	Weight Distribution (With STD capacity Lead-acid battery)	Full Load	Front	kg	7990	33
			Rear	kg	920	
34		No Load	Front	kg	2550	34
			Rear	kg	2860	
35		Number	Front/Rear		2/2	35
36	Tires	Size	Front		28X9-15-14PR	36
37			Rear		6.50-10-14PR	37
38	Wheelbase		mm	1805	38	
39	Tread		Front	mm	1010	39
			Rear	mm	965	
	Backrest Height			1220		
	Overhead Guard Clearance			1035		
	Counterweight Height			1275		
	Drawbar Height			340		
	Step Height/Floor Height			515/785		
40	Underclearance		Mast (Full Load)	mm	115	40
41			Center of Wheelbase (Full Load)	mm	140	41
			Drive Axle (Full Load)	mm	155	
			Steer Axle (No Load)	mm	180	
			Counterweight (No Load)	mm	185	
			Minimum Under Clearance (Full Load)	mm	115(Mast)	
	Grade Clearance		Frame	% (tanθ)	36	
			Counterweight	% (tanθ)	66	
42	Brake		Service (Foot)		Hydraulic	42
43			Parking		Hand	43
	Control System		System Voltage	V	48	
45	Battery (Lead-acid battery)	Voltage/Capacity (5-hour rating)	STD	V/AH	80/565	45
46			Max.	V/AH	-	
47		Weight (STD Capacity Type)	kg	1465	46	
48	Electric Motors		Drive	kW	11.9	47
			Load Handling	kW	14.4	48
			Energy Consumption According to VDI Cycle **	kWh/h	5.6	
54	Control Type		Drive		Transistor inverter	54
			Load Handling		Transistor inverter	
57	Operating Pressure	For Attachments	Mpa (psi)	15.7(2300)	57	
	Sound level at the driver's ear according to EN12053 Uncertainty 4dB(A)		dB (A)	69		
	Vibration in accordance with in EN13059		m/s2	1.5		

NOTE: \* Computed values.

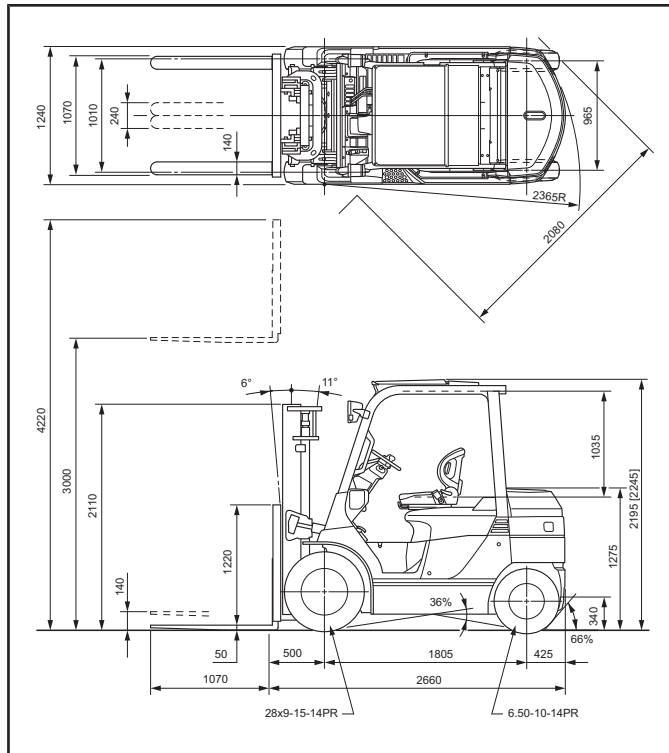
\*\* 60 VDI circles/h with Tested Load of 3500 kg.

[ ] with Resin Roof

## DIMENSIONAL DRAWINGS

Unit: mm

[ ] with Resin Roof



## UNDERCLEARANCE

Mast (Full Load)	115
Center of Wheelbase (Full Load)	140
Drive Axle (Full Load)	155
Steer Axle (No Load)	180
Counterweight (No Load)	185
Minimum Under Clearance (No Load)	115(Mast)

## RATED CAPACITIES



A: Max. Fork Height  
B: Load Center  
W: Capacity

### V, FV Mast

Unit: kg (W)

A (mm)	3000	3300	3500	3700	4000	4500	5000
Single Tire (PN)	500	3500	3450	3450	3450	3300	2700
	600	3180	3130	3130	3130	2990	2450
	700	2910	2870	2870	2870	2870	2240
	800	2690	2650	2650	2650	2650	2070
	900	2490	2460	2460	2460	2460	1920
	1000	2330	2290	2290	2290	2290	1790
	1100	2180	2150	2150	2150	2150	1680
	1200	2050	2020	2020	2020	2020	1580
	1300	1940	1910	1910	1910	1910	1490
	1300	1940	1940	1940	1940	1940	1880
Dual Tire (PN or PSC)	500	3500	3500	3500	3500	3500	3400
	600	3180	3180	3180	3180	3180	3090
	700	2910	2910	2910	2910	2910	2830
	800	2690	2690	2690	2690	2690	2690
	900	2490	2490	2490	2490	2490	2420
	1000	2330	2330	2330	2330	2330	2260
	1100	2180	2180	2180	2180	2180	2120
	1200	2050	2050	2050	2050	2050	1990
	1300	1940	1940	1940	1940	1940	1880

### FSV Mast

Unit: kg (W)

A (mm)	3700	4000	4300	4500	4700	5000	5500	6000
Single Tire (PN)	500	3450	3450	3450	2850	2850	2450	1900
	600	3130	3130	3130	2590	2590	2220	1720
	700	2870	2870	2870	2370	2370	2040	1580
	800	2650	2650	2650	2190	2190	1880	1460
	900	2470	2470	2470	2040	2040	1750	1360
	1000	2300	2300	2300	1900	1900	1630	1270
	1100	2160	2160	2160	1780	1780	1530	1190
	1200	2030	2030	2030	1680	1680	1440	1120
	1300	1920	1920	1920	1580	1580	1360	1050
	1300	1920	1920	1920	1580	1580	1360	1050
Dual Tire (PN or PSC)	500	3500	3500	3500	3400	3400	3300	2900
	600	3180	3180	3180	3090	3090	3000	2630
	700	2920	2920	2920	2830	2830	2750	2420
	800	2690	2690	2690	2620	2620	2540	2230
	900	2500	2500	2500	2430	2430	2360	2070
	1000	2340	2340	2340	2270	2270	2200	1930
	1100	2190	2190	2190	2130	2130	2060	1810
	1200	2060	2060	2060	2000	2000	1940	1710
	1300	1950	1950	1950	1890	1890	1840	1610
	1300	1950	1950	1950	1890	1890	1840	1610

NOTE: For the rated capacity of Single Tire (PSC), please refer to the rated capacity chart of 8FBJ35.

## MAST SPECIFICATIONS & RATED CAPACITIES

Mast Type	Maximum Fork Height	Overall Height			Free Lift		Tilt Range		Load Capacity at 500 mm LC		
		Lowered	Extended		Without Load Backrest	With Standard Load Backrest	FWD	BWD	Single		Dual
			Without Load Backrest	With Standard Load Backrest					PSC	PN	
	mm	mm	mm	mm	mm	mm	deg	deg	kg	kg	kg
Wide Visible Mast (V)	2500	1890	3360	3720	140	140	6	11	3500	3500	3500
	2700	1990	3560	3920	140	140	6	11	3500	3500	3500
	3000	2110	3860	4220	140	140	6	11	3500	3500	3500
	3300	2290	4160	4520	140	140	6	11	3500	3450	3500
	3500	2390	4360	4720	140	140	6	11	3500	3450	3500
	3700	2490	4560	4920	140	140	6	11	3500	3450	3500
	4000	2740	4860	5220	140	140	6	11	3500	3450	3500
Wide Visible Full-Free Lift Two-Stage Mast (FV)	4500	2990	5360	5720	140	140	6	5	3350	3300	3500
	5000	3240	5860	6220	140	140	6	5	2750	2700	3400
	3000	2110	3725	4220	1385	890	6	11	3500	3500	3500
	3300	2290	4025	4520	1565	1070	6	11	3500	3450	3500
Wide Visible Full-Free Lift Three-Stage Mast (FSV)	3500	2390	4225	4720	1665	1170	6	11	3500	3450	3500
	3700	2490	4425	4920	1765	1270	6	11	3500	3450	3500
	4000	2740	4725	5220	2015	1520	6	11	3500	3450	3500
	3700	2020	4425	4920	1295	800	6	5	3500	3450	3500
	4000	2170	4725	5220	1445	950	6	5	3500	3450	3500
	4300	2225	5025	5520	1495	1005	6	5	3500	3450	3500
	4500	2270	5225	5720	1545	1050	6	5	2900	2850	3400
4700	2430	5425	5920	1705	1210	6	5	2900	2850	3400	
5000	2620	5725	6220	1895	1400	6	5	2500	2450	3300	
5500	2870	6225	6720	2145	1650	6	5	1950	1900	2900	
6000	3120	6725	7220	2395	1900	6	5	1500	1450	2200	

NOTE: Height of standard load backrest is 1220 mm.

The data in this publication was determined based on our standard testing condition. Operating performance may vary depending on the actual specification and condition of the vehicle as well as the condition of the operating area.

# STANDARD EQUIPMENT

---

**8FB10.14.15.18.20.25.30.J35,  
60-8FB10.14.15.18.20.25,  
8FBH10.14.15.18.20.25.30.J35,  
40-8FB15.20.25**

- Drive AC motor
- Load handling (Power Steering) AC motor
- Wide Visible Mast (V) [MFH: 3000 mm]
- Load backrest (Angled Lower Stay, V and FSV masts)
- System of Active Stability (SAS)
- Operator Presence Sensing System (OPS)
- Easy-down system (V mast)
- Multi-function display (Battery capacity indicator, Power-select function indicator, OPS indicator, Overheat warning, Low temperature warning, Parking brake warning indicator, Power meter, Battery overdischarge warning, Battery remaining-charge warning, Parking brake on/off alarm, Return-to-neutral warning, Digital diagnosis, Maximum speed limitation setting, Auto power off time setting)
- Power select function
- Power keep function
- Hour meter
- Auto power-off function
- Headlights
- Combination Lights
- ORS seat
- Memory tilt steering column
- Dual action parking brake
- Full hydraulic power steering
- Electric horn
- Emergency power shut-down button
- Battery connector handle
- Floor mat
- Assist grip
- Storage area
- Document crimp
- Overhead guard
- Overhead guard cap (8FB10-J35, 8FBH10-25, 40-8FB15-25)
- Resin roof (8FBH30. J35)

Availability and specifications are determined by market and are subject to change without notice.  
Please consult your Toyota representative for details.



Website



YouTube

All rights reserved by Toyota Industries Corporation.