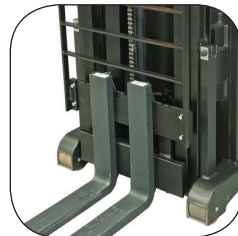


Order picking truck 1.2 ton

BT optio
L-series
OSE120CB



Order picking truck

Truck specifications						OSE120CB
Identification	1.1	Manufacturer				Toyota
	1.2	Model				OSE120CB
	1.3	Drive				Electric
	1.4	Operator type				Stand on
	1.5	Load capacity/rated load		Q	kg	1200
	1.6	Load centre		c	mm	500
	1.8	Load distance, back of fork to wheel centre		x	mm	73
	1.9	Wheelbase		y	mm	1448
	Weight	2.1	Service weight without battery			kg
2.2		Axle load, with load, drive/support arm wheels			kg	615/2725
2.3		Axle load, without load, drive/support arm wheels			kg	1100/1038
Wheels	3.1	Drive / castor / fork wheels				Vulkollan
	3.2	Wheel size, front		Ø x width	mm	250 x 92
	3.3	Wheel size, rear		Ø x width	mm	140 x 80
Dimensions	4.2	Height, mast lowered		h_1	mm	1841
	4.4	Lift movement		h_3	mm	2650
		Lift height		h_{23}	mm	2700
	4.5	Height, mast extended		h_4	mm	3280
	4.7	Height of overhead guard		h_6	mm	2226
	4.8	Stand height		h_7	mm	135
	4.15	Height, fork lowered		h_{13}	mm	50
	4.19	Overall length		l_1	mm	2853
	4.20	Length to face of forks		l_2	mm	1703
	4.21	Overall width		b_1/b_2	mm	790/861
	4.22	Fork dimensions		$s/e/l$	mm	40/100/1150
	4.25	Width over forks		b_5	mm	250-570
	4.31	Ground clearance, below mast		m_1	mm	49
	4.32	Ground clearance, centre of wheelbase		m_2	mm	72
4.34	Aisle width for pallets 800 x 1200 lengthways		A_{st}	mm	3170	
4.35	Turning radius		W_a	mm	1636	
4.44	Clear width driver compartment entrance		l_{24}	mm	450	
Performance data	5.1	Travel speed, with/without load ^{*)}			km/h	7,0/12,0
	5.2	Lift speed, with/without load			m/s	0,12/0,27
	5.3	Lowering speed, with/without load			m/s	0,33/0,36
	5.8	Max. gradeability, with/without load ²⁾			%	9/13
	5.10	Service brake				Electromagnetic
Electric motor	6.1	Drive motor rating S2 60 min			kW	2,8
	6.2	Lift motor rating S3 6%			kW	2,2
	6.4	Battery voltage, nominal capacity K_5			V/Ah	24/465-620
	6.5	Battery weight, min./max.			kg	338/501
	6.6	Energy consumption acc to VDI 2198 cycle ³⁾			kWh/h	
	Other	8.1	Type of drive control			
8.4		Sound level at the driver's ear according to EN 12 053			dB(A)	62

1) With small battery, add 125 kg counterweight.

2) Measured according to company standard.

3) Contact your supplier for information.

*) Travel speed in fork direction: 6,0/10,5 km/h for all models

All data are based on table configuration. Other configurations may give other values.

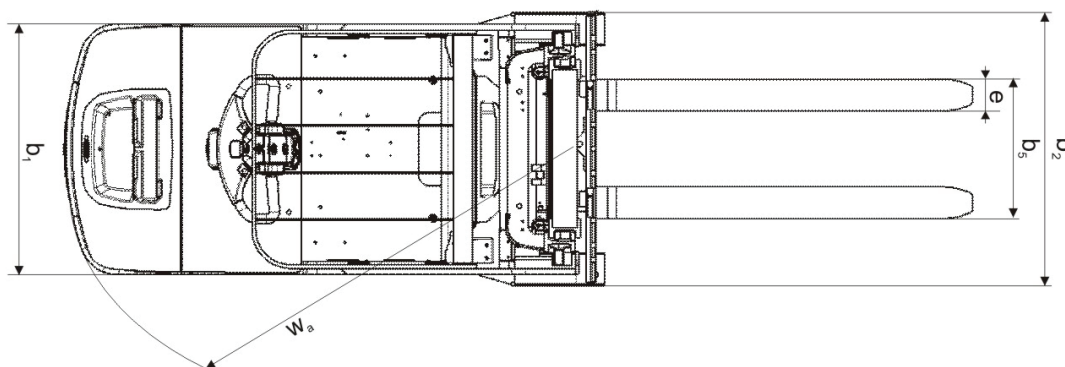
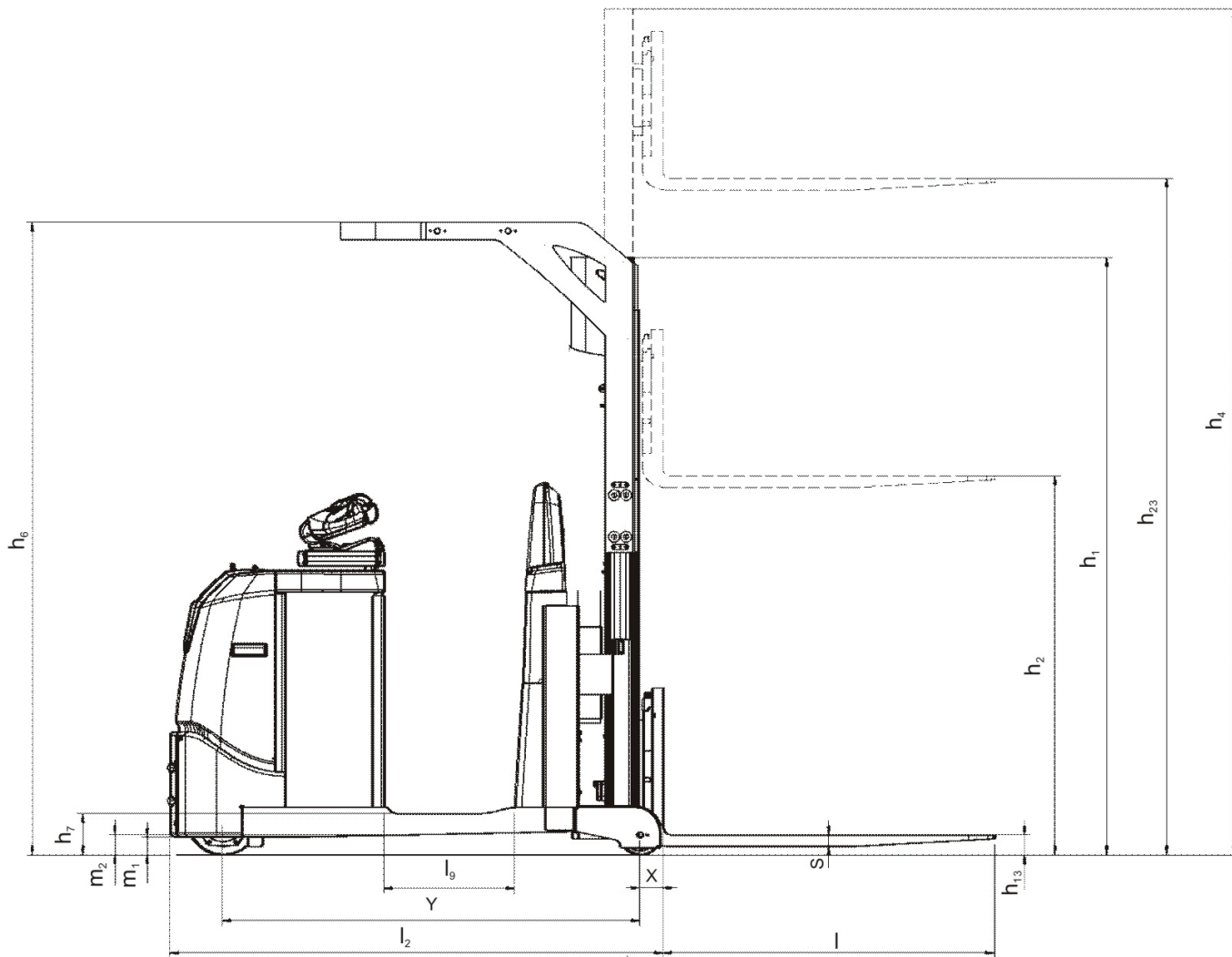
Truck performance and dimensions are nominal and subject to tolerances.

Toyota Material Handling Manufacturing Sweden AB products and specifications are subject to change without notice.

Mast dimensions

BT optio

OSE120CB			Simplex			Duplex Tele					Duplex HiLo				
Total lift height ($h_{13}+h_3$)	h_{23}	mm	1400	1700	1800	2700	2900	3300	3700	4150	2700	2900	3300	3700	4150
Height, mast lowered	h_1	mm	1820	2120	2220	1841	1941	2141	2341	2475	1836	1936	2136	2336	2561
Free lift	h_2	mm	1400	1700	1800	110	110	110	110	110	1396	1496	1696	1896	2121
Lift movement	h_3	mm	1350	1650	1750	2650	2850	3250	3650	4100	2650	2850	3250	3650	4100
Height of truck, max.	h_4	mm	1980	2280	2380	3280	3480	3880	4280	4720	3280	3480	3880	4280	4720



Truck features:

- Order picker with stacker possibilities, two trucks in one
- The same truck can be used for order picking as well as for replenishment, block stacking
- Low step-in height
- Integrated shrink film holder in truck front
- Optimised Truck Performance, (OTP) speed adjustment when cornering etc
- E-man steering for ergonomic and simple handling
- Three mast types available, Simplex, Duplex & Triplex
- Adjustable forged forks for maximum flexibility
- Available with and without overhead guard
- Extra platform dampening for bad floors (option)
- Available with lithium ion or lead/acid batteries

