

Very narrow aisle truck 1.25 ton

BT vector

R-series

VRE125



Very Narrow Aisle truck

Truck specifications					VRE125
Identification	1.1	Manufacturer			BT
	1.2	Model			VRE125
	1.3	Drive			Electric
	1.4	Operator type			Seated
	1.5	Load capacity/rated load	Q	kg	1250
	1.6	Load centre	c	mm	600
	1.9	Wheelbase	y	mm	1692
Weight	2.1	Service weight including battery		kg	4685
	2.2	Axle load, with load, drive/support arm wheel		kg	1193/4743
	2.3	Axle load, without load, drive/support arm wheel		kg	1800/2885
Wheels	3.1	Drive/support arm wheel			Vulkollan
	3.2	Wheel size, front		mm	Ø 230x110
	3.3	Wheel size, rear		mm	Ø 400x160
	3.5	Wheels, number front/rear (x=driven wheels)			4/1x
	3.6	Track width, front	b ₁₀	mm	1038/1148
	Dimensions	4.2	Height, mast lowered	h ₁	mm
4.4		Lift	h ₃	mm	5595 *
		Lift height	h ₂₃	mm	5675 *
4.5		Height, mast extended	h ₄	mm	6750 *
4.7		Height of overhead guard	h ₆	mm	2261
4.8		Seat height	h ₇	mm	1100
4.15		Height of lowered forks	h ₁₃	mm	80
4.19		Overall length	l ₁	mm	3175
4.20		Length to face of forks	l ₂	mm	2955
4.21		Overall width	b ₁	mm	1420/1270
4.22		Fork dimensions	s/e/l	mm	40/120/1200 *
4.24		Fork-carriage width	b ₃	mm	800 *
4.25		Width over forks	b ₅	mm	489-793 *
4.31		Ground clearance, with load, below mast	m ₁	mm	70
4.32		Ground clearance, centre of wheelbase	m ₂	mm	60
4.34		Aisle width for pallets 800 x 1200 lengthways	A _{st}	mm	1660 *
4.35	Turning radius	W _a	mm	1954	
4.38	Distance to swivelling fork pivot from centre of front axle	l ₈	mm	821	
Performance data	5.1	Travel speed, with/without load		km/h	10/12
	5.2	Lift speed, with/without load		m/s	0,29/0,37
	5.3	Lowering speed, with/without load		m/s	0,50/0,48
	5.9	Acceleration time, with/without load (0-10m)		s	5,7/5,2
	5.10	Service brake			Electric
Electric motor	6.1	Drive motor rating S2 60 min		kW	7,5
	6.2	Lift motor rating S3 15%		kW	11
	6.4	Battery voltage, nominal capacity K ₅		V/Ah	48/620
	6.5	Battery weight		kg	956
	6.6	Energy consumption acc to VDI cycle ¹⁾		kWh/h	
	Other	8.1	Type of drive control		
8.4		Sound level at the driver's ear according to EN 12 053		dB(A)	65

1) Contact your supplier for information

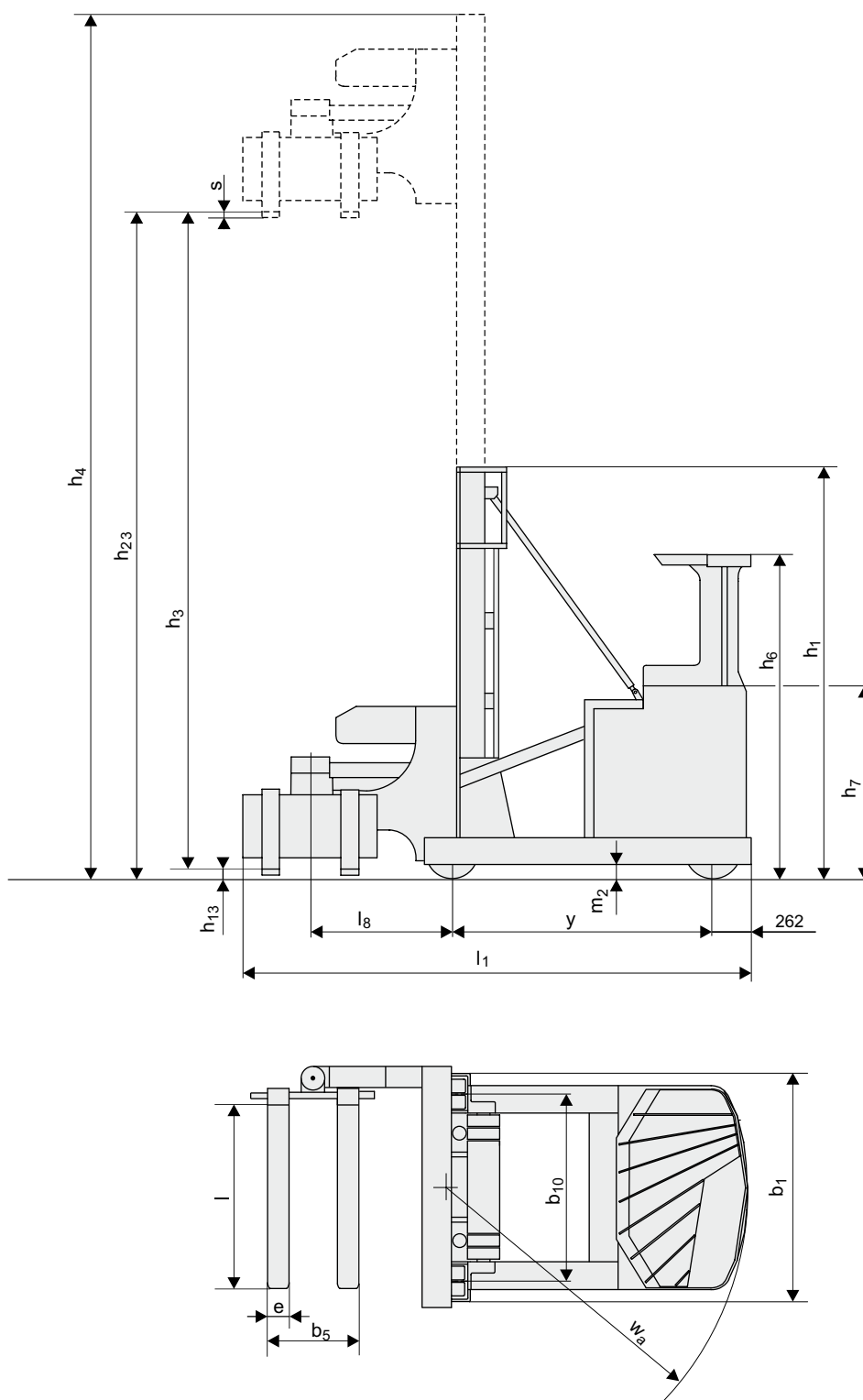
* Other dimensions available

Truck performance and dimensions are nominal and subject to tolerances.

BT products and specifications are subject to change without notice.

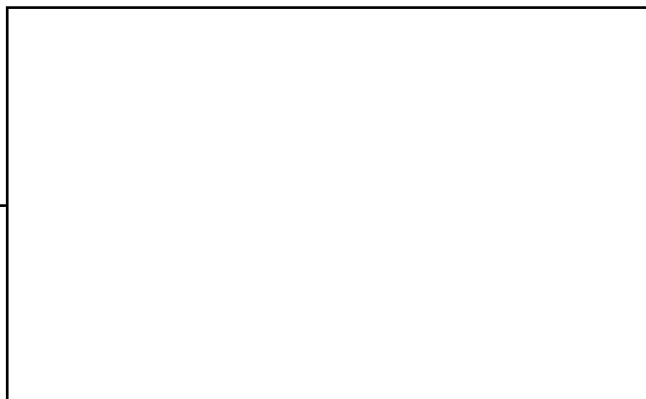
Mast dimensions

Mast				Duplex Telescopic					
VRE125	Lift height	h_{23}	mm	3600	4000	4850	5650	6300	6700
	Lift	h_3	mm	3520	3920	4770	5570	6220	6620
	Height, mast lowered	h_1	mm	2920	3120	3553	3953	4487	4687
	Height, mast extended	h_4	mm	4685	5085	5950	6750	7618	8018



Truck features:

- Total view concept
- Car pedal layout
- Automatic parking brake
- TLC, Transitional Lift Control
- 360° steering
- Simultaneous hydraulic control
- Single function levers or multi function control
- Heavy duty drive unit and gear box



TP - Technical Publications, Sweden — 748450-040, version 3, 1604